

J E T

JWL-1442

WOOD LATHE

708358LM

230/50/1

**PARTS LIST
ERSATZTEILLISTE
LISTE DE PIECES**

WMH Tool Group AG

Bahnstrasse 24, CH – 8603 Schwerzenbach

www.wmhtoolgroup.ch; info@wmhtoolgroup.ch

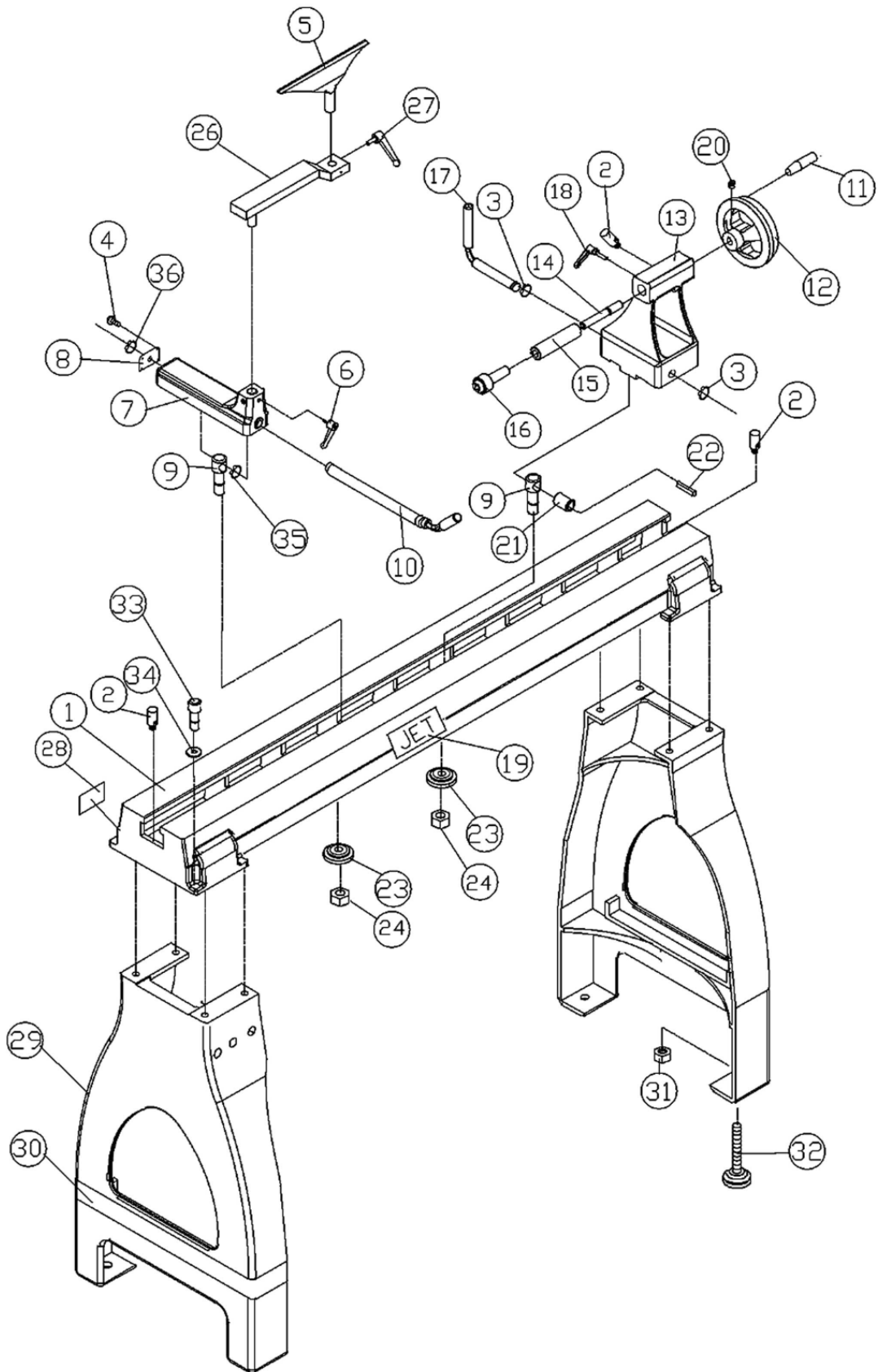
Tel +41 (0) 1 806 47 48

Fax +41 (0) 1 806 47 58



P-708358M 08/04

Bed Assembly

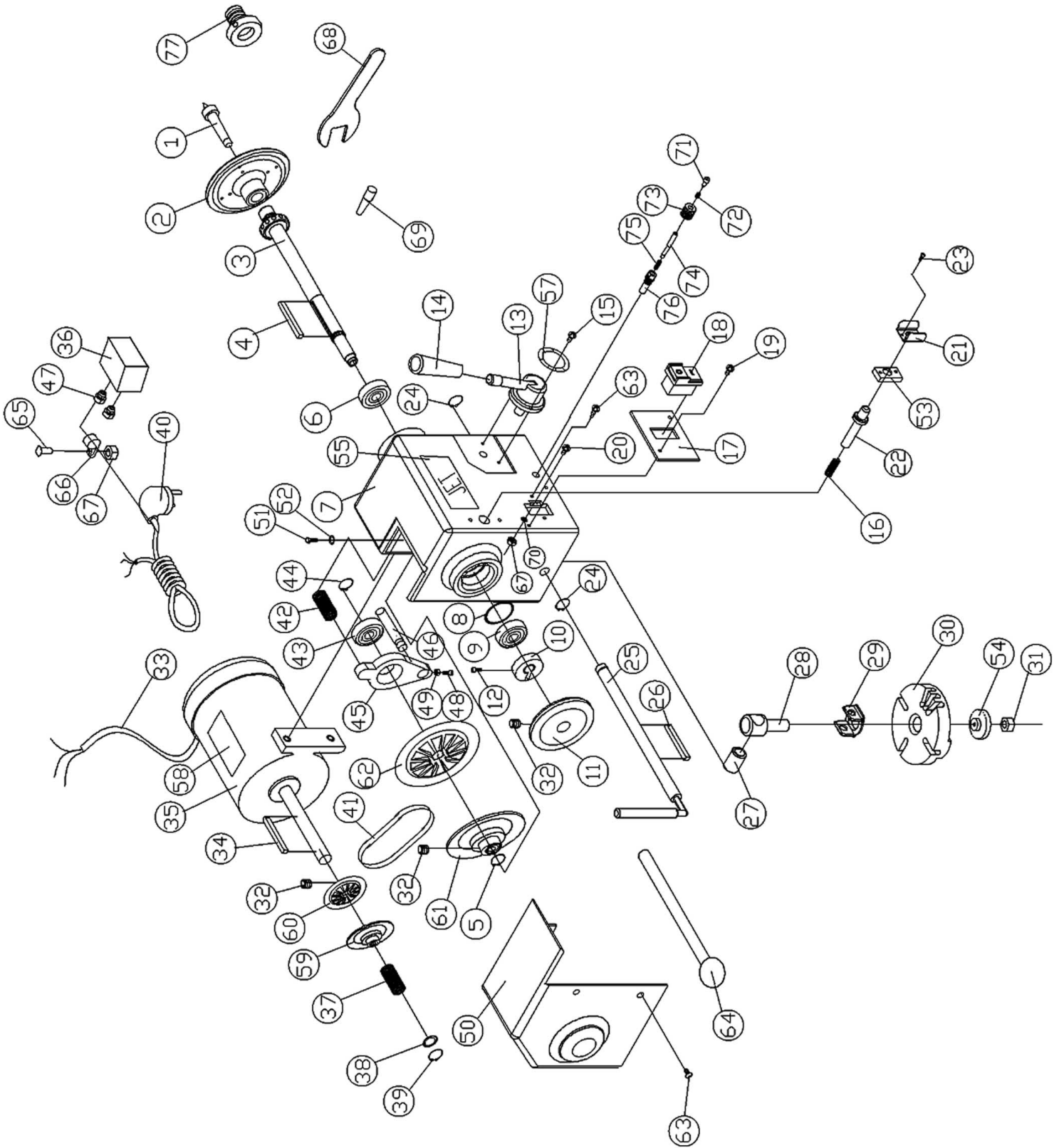


Parts List for the JWL-1442 Woodworking Lathe

Bed Assembly

Index No.	Part No.	Description	Size	Qty.
1	JWL1442-201	Bed		1
2	JWL1442-202	Stud		3
3	JWL1442-124	C-Ring	S19	2
4	6295736	Hex Socket Cap Screw	10-24 x 1/2"	4
5	JWL1442-205	Tool Rest		1
6	JWL1442-206	Tool Support Handle		1
7	JWL1442-207	Tool Support Base		1
8	JWL1442-208	End Cover		1
9	JWL1442-128	Clamp Bolt		2
10	JWL1442-210A	Tool Support Rod		1
11	JWL1442-211	Handle		1
12	JWL1442-212	Handwheel		1
13	JWL1442-213	Tailstock		1
14	JWL1442-214	Lead Screw		1
15	JWL1442-215E	Quill		1
16	JWL1442-216	Live Center		1
17	JWL1442-217	Tailstock Rod		1
18	JWL1442-218	Tailstock Quill Handle		1
19	JWL1442-219	JET Label		1
20	TS-0267021	Set Screw	1/4"-20 x 1/4"	2
21	JWL1442-127	Bushing		1
22	JWL1442-126	Key	5 x 5 x 30	1
23	JWL1442-154	Clamp		2
24	TS-0561081	Hex Nut	3/4"-10	2
26	JWL1442-226	Extension Tool Rest		1
27	JWL1442-227	Handle		1
	JWL1442-TCA	Tailstock Complete Assembly (not shown)		1
	JWL1442-TRCA	Tool Rest Complete Assembly (not shown)		1
28	JWL1442-228E	I.D. Label		1
29	JWL1642-203	Stand		2
30	JWL1642-205	JET Stripe		2
31	TS-0561031	Hex Nut	3/8"	4
32	JWL1642-206	Adjustable Foot	3/8"	4
33	TS-0208081	Hex Socket Cap Screw	5/16" - 18 x 1-1/2"	8
34	TS-0680032	Flat Washer	5/16"	8
35	JWL1442-228	C-Ring	S25	1
36	JWL1442-229	C-Ring	S18	1

Headstock Assembly



Parts List for the JWL-1442 Woodworking Lathe

Headstock Assembly

Index No.	Part No.	Description	Size	Qty.
1	JWL1442-101	Spur Center	MT2	1
2	JWL1442-102	Face Plate	6"	1
3	JWL1442-103	Spindle		1
4	JWL1442-104	Key	4 x 4 x 80	1
5	JWL1442-105	E-Ring	E-19	1
6	BB-6205ZZ	Ball Bearing	6205ZZ	1
7	JWL1442-107E	Headstock		1
8	JWL1442-108	Wave Washer		1
9	BB-6304LLB	Ball Bearing	6304LLB	1
10	JWL1442-110	Lock Nut	3/4"-16	1
11	JWL1442-111	Hand wheel		1
12	TS-0207031	Hex Socket Cap Screw	1/4"-20 x 5/8"	1
13	JWL1442-113	Speed Selector Assembly		1
14	JWL1442-114	Handle		1
15	TS-081C052	Round Head Machine Screw	10-24 x 3/4	2
16	JWL1442-116	Spring		1
17	JWL1442-117E	Switch Bracket		1
18	JWL1442-118E	Switch		1
19	TS-081C022	Round Head Machine Screw	10-24 x 3/8"	2
20	TS-081C052	Round Head Machine Screw	10-24 x 3/4"	2
21	JWL1442-121	Bracket		1
22	JWL1442-122	Spindle Lock Pin		1
23	6295736	Hex Socket Cap Screw	10-24 x 1/2"	2
24	JWL1442-124	C-Ring	S19	2
25	JWL1442-125	Lever		1
26	JWL1442-126	Key	5 x 5 x 30	1
27	JWL1442-127	Bushing		1
28	JWL1442-128A	Bolt		1
29	JWL1442-129	Support Bracket		1
30	JWL1442-130	Index Bracket		1
31	TS-0561081	Hex Nut	3/4"-10	1
32	TS-0267021	Set Screw	1/4"-20 x 1/4"	6
33	JWL1442-133E	Motor Cord		1
34	JWL1442-134	Key	4 x 4 x 80	1
35	JWL1442-135E	Motor	1HP, 1Ph	1
	JWL1442-MF	Motor Fan (not shown)		1
	JWL1442-MFC	Motor Fan Cover (not shown)		1
	JWL1442-CS	Centrifugal Switch (not shown)		1
	JWL1442-CC	Capacitor Cover (not shown)		2
	JWL1442-SC	Starting Capacitor (not shown)	200MFD, 125VAC	1
	JWL1442-RC	Running Capacitor (not shown)	25uF, 250VAC	1
36	JWL1442-136E	Switch Box		1
37	JWL1442-137	Spring		1
38	JWL1442-138	Sleeve		1
39	JWL1442-139	C-Ring	S16	1
40	JWL1442-140E	Power Cord		1
41	VB-M25	Belt	M-25	1
42	JWL1442-142	Spring		1

Index No.	Part No.	Description	Size	Qty.
43	BB-6006LB	Ball Bearing	6006LB	1
44	JWL1442-144	C-Ring	S32	1
45	JWL1442-145	Shifting Lever Bracket		1
46	JWL1442-146	Rack		1
47	JWL1442-147E	Strain Relief		2
48	TS-0207061	Hex Socket Cap Screw	1/4"-20 x 1"	1
49	TS-0561011	Hex Nut	1/4"-20	1
50	JWL1442-150	Pulley Cover		1
51	TS-0081031	Hex Head Bolt	5/16"-18 x 3/4"	2
52	TS-0720081	Lock Washer	5/16"	2
53	JWL1442-153	Plate		1
54	JWL1442-154	Clamp		1
55	JWL1442-155	JET Label		1
57	JWL1442-157E	Speed Label		1
58	JWL1442-158E	Motor Label		1
59	JWL1442-159	Motor Pulley (left)		1
60	JWL1442-160	Motor Pulley (right)		1
61	JWL1442-161	Spindle Pulley (left)		1
62	JWL1442-162	Spindle Pulley (right)		1
63	TS-081C022	Round Head Machine Screw	10-24 x 3/8"	4
64	JWL1442-164	Knockout Rod		1
65	TS-081C082	Pan Head Screw	10-24 x 1-1/2"	1
66	JWL1442-166	Clip		1
67	TS-056007	Hex Nut	10-24	2
68	JWL1442-168	Spanner Wrench		1
69	JWL1442-169	Index Pin		1
70	JWL1442-170	Star Washer	3/16"	2
71	JWL1442-171	Hex Socket Cap Screw		1
72	JWL1442-172	Spring		1
73	JWL1442-173	Index Knob		1
74	JWL1442-174	Index Shaft		1
75	JWL1442-175	Spring		1
76	JWL1442-176	Index Bushing		1
77	10000450	Adaptor		1
78	JWL1442-178E	Direction Label		1

JWL-1442
708358LM

230/50/1

	colour of strands	Litzenfarben	couleur des cordons
BK	black	schwarz	noir
WH	white	weiß	blanc
BU	blue	blau	bleu
YE	yellow	gelb	jaune
RD	red	rot	rouge
BN	brown	braun	brun
GY	grey	grau	gris
GNYE	green-yellow	grün-gelb	vert-jaune
OG	orange	orange	orange
VT	violet	violett	violet

	meaning of symbol	Bedeutung der Zeichen	interprétation
M	motor	Motor	moteur
S	switch	Schalter	interrupteur
C	condenser	Kondensator	condensateur
E	electronic unit	Elektronik Einheit	unité électronique
F	fuse	Sicherung	fusible
RS	reversing switch	Drehrichtungsschalter	commu. droite/gauche
S	centrifugal switch	Fliehkraftschalter	déclencheur centrifuge
OL	overload cut-off	Überlastschuttschalter	déclencheur surcharge
LS	limit switch	Positionsendschalter	micro

