

JET

MBS-1014W

**Ленточная пила по
металлу**

414477T...380/50/3

Список деталей

WMH Tool Group AG

Bahnstrasse 24,

CH – 8603 Schwerzenbach

www.wmhtoolgroup.ch

info@wmhtoolgroup.ch

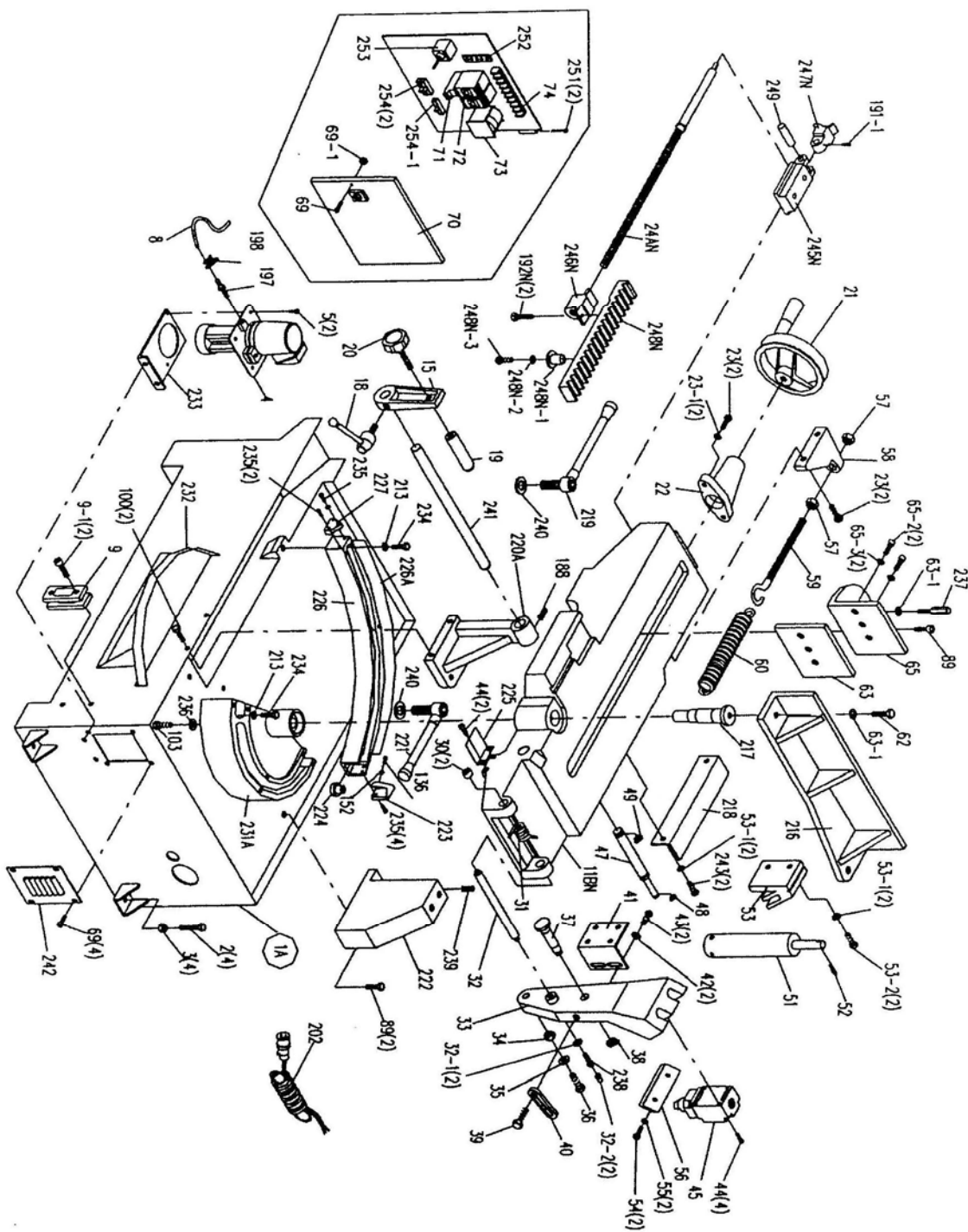
Tel +41 (0)44 806 47 48

Fax +41 (0) 44 806 47 58

P-414477...05/07



Монтажная схема: станина и основание в сборе



Список деталей: ленточная пила по металлу MBS-1014W

№	№ детали	обозначение	размер	кол-во
1A	MBS1014W-1A	Base		1
2	TS-1492071	Hex Cap Bolt	M12x70	4
3	TS-1540081	Hex Nut	M12	4
4	MBS1014W-CP	Coolant Pump	400V,50Hz,3Ph	1
5	TS-15311051	Pan Head Screw	M6x16	2
8	HBS916W-08	Hose		1
9	HBS916W-09	Coolant Gauge		1
9-1	TS-1491041	Hex Cap Bolt	M10x30	2
11BN	MBS1014W-11BN	Bed (S/N:01021647 and higher)		1
15	HBS916W-16	Stop Bracket		1
18	HBS916W-18	Lock Handle		1
19	HBS916W-19	Work Stop		1
20	HBS916W-20	Lock Knob		1
21	HBS1018W-21	Handle Wheel Assembly		1
22	HBS1018W-22	Lead Screw Seat		1
23	TS-1490051	Hex Cap Bolt	M8x30	4
23-1	TS-1551061	Lock Washer	M8	2
24AN	MBS1014W-24AN	Lead Screw (S/N:01021647 and higher)	530mm	1
31	HBS1018W-31	Torsion Spring		1
32	HBS916W-32	Pivot Shaft		1
32-1	TS-1550041	Washer	M12	2
32-2	HBS916W-32-2	Bolt w/Zerk fitting		2
33	HBS1018W-33	Pivot Bracket		1
34	TS-1540081	Nut	M12	1
35	TS-1550081	Washer	M12	1
36	TS-1492041	Hex Cap Bolt	M12x40	1
37	HBS916W-37	Torsion Spring Shaft		1
38	HBS916W-38	C-Ring	S-22	1
39	TS-1490041	Hex Cap Bolt	M8x25	1
40	HBS1018W-40	Motor Tilt Plate		1
41	HBS916W-41	Limit Switch Plate		1
42	TS-1550061	Washer	M8	2
43	TS-1490031	Hex Cap Bolt	M8x20	2
44	TS-1482021	Hex Cap Screw	M6x12	6
45	HBS916W-45	Limit Switch		1
47	HBS1018W-47A	Cylinder Pin		1
48	HBS916W-48	C-Ring	S-20	1
49	HBS916W-49	C-Ring	S-25	2
51	HBS1018W-51	Hydraulic Cylinder Assembly		1
52	HBS916W-52	Cylinder Pin		1
53	HBS1018W-53	Hydraulic Mounting plate-Top		1
53-1	TS-1551071	Lock Washer	M10	4
53-2	TS-1491041	Hex Cap Bolt	M10x30	2
54	TS-1492051	Hex Cap Bolt	M12x50	2
55	TS-1550081	Washer	M12	2
56	HBS916W-56	Plate		1
57	TS-0561051	Hex Nut	1/2"	2
58	HBS916W-58	Spring Bracket		1
59	HBS916W-59	Adjustable C-Bolt		1

Список деталей: ленточная пила по металлу MBS-1014W

№	№ детали	обозначение	размер	кол-во
60	HBS1018W-60	Spring		1
62	TS-1492041	Hex Cap Bolt	M12x40	2
63	TS-1551081	Lock Washer (S/N:0202756 and higher)	M12	2
65	HBS916W-64	Vise Jaw-left		1
65-1	MBS1014W-65-1	Extension plate		1
65-2	MBS1014W-65-2	Hex Socket Cap Screw		2
65-3	MBS1014W-65-3	Lock Washer		2
69	TS-15030114	Hex Socket Cap Screw	M6x8	4
69	MBS1014W-69	Hex Socket Cap Screw	M6x30	1
69-1	MBS1014W-69-1	Nut	M6	1
70	HBS916W-70	Electrical Panel Cover		1
71	MBS1014W-71E	Overload Relay		1
72	MBS1014W-72E	Magnetic Switch	400V,50Hz,3Ph	1
73	MBS1014W-73E	Transformer	400V,50Hz,3Ph	1
74	HBS916W-74	Transformer Strip		1
75	HBS916W-75	Handle		1
76	TS-1534051	Pan Head Screw	M6x16	4
77	TS-1482021	Hex Cap Bolt	M6x12	2
77-1	TS-1551041	Lock Washer	M6	2
77-2	TS-1550041	Washer	M6	2
78	HBS916W-78	Wire Brush Guard		1
79	TS-1503011	Hex Socket Cap Screw	M6x8	12
	HBS1018W-79A	Adjustable Bracket Mount-rear (not shown)		1
80	HBS1018W-80	Blade wheel Cover-right		1
81	TS-1550041	Washer	M6	4
82	HBS916W-82	Bushing		1
83	HBS916W-83	Washer		1
84	MBS1014W-84	Driver Wheel		1
85	MBS1014W-85E	Blade (local purchase)		1
86	HBS916W-86	Hose		1
87	TS-1533031	Pan Head Screw	M5x10	2
88	HBS916W-88	Filter Screen		1
89	TS-1492031	Hex Cap Bolt	M12x35	5
89-1	TS-1551081	Lock Washer	M12	4
90	HBS916W-90	Lock Knob		4
92	HBS1018W-92	Blade Wheel Box-right		1
93	HBS1018W-93	Connector		1
94	HBS1018W-94	Gear Box Assembly		1
95	HBS916W-95	Key	7mm	2
96	HBS1018W-96	Pulley Cover		1
96-1	HBS916W-96-1	Hex Cap Bolt	1/4x13	1
97	HBS1018W-97	Gear Box Pulley		1
98	VB-A37	V-Belt		1
99	HBS1018W-99	Motor Pulley		1

Список деталей: ленточная пила по металлу MBS-1014W

№	№ детали	обозначение	размер	кол-во
100.....	TS-1482031	Hex Cap Bolt	M8x16	4
100-1...	TS-1550061	Washer	M8	2
100-2...	TS-1551061	Lock Washer	M8	2
101.....	HBS916W-101	Hose	1
101-1...	HBS916W-101-1 ...	Hose	1
102.....	HBS916W-102	Support Shaft	1
102-1...	TS-1550081	Washer	M12	1
102-2...	TS-1540081	Hex Nut	M12	1
103.....	TS-1492021	Hex Cap Bolt (S/N:0202756 and higher).....	M12x20	1
104.....	HBS916W-104	Motor Mount Bracket	1
105.....	HBS1018W-105A ..	Column.....	1
106.....	TS-1506011	Hex Socket Cap Screw	M12x20	6
107.....	HBS916W-107	Locking Hand.....	1
108.....	TS-1550061	Washer	8mm	1
109.....	TS-1490081	Hex Cap Bolt	M8x45	4
109-1...	TS-1550061	Washer	M8	4
110.....	HBS916W-110	Motor Mount Plate	1
111.....	MBS1014W-111 ...	Motor	400V,50Hz,3Ph	1
112.....	TS-1550061	Washer	M8	4
112-1...	TS-1551061	Lock Washer.....	M8	4
113.....	TS-1540061	Hex Nut	M8	4
114.....	HBS916W-114	Key	7mm	1
115.....	TS-1550081	Washer	M12	1
116.....	TS-1504041	Hex Socket Cap Screw	M8x20	1
117.....	HBS1018W-117A ..	Blade Wheel cover-left	1
118.....	BB-608W	Ball Bearing.....	2
119.....	TS-1492011	Hex Cap Bolt	M12x25	2
120.....	TS-1550081	Washer	M12	1
121.....	BB-6205Z	Ball Bearing.....	3
122.....	MBS1014W-122 ...	Idler Wheel	1
123.....	HBS1018W-123A ..	Blade Guard	1
123-1...	TS-1550061	Washer	M8	1
123-2...	TS-1551061	Lock Washer.....	M8	1
123-3...	TS-1490021	Hex Cap Bolt	M8x16	1
124.....	HBS916W-124	Guide Bracket-left	1
.....	HBS916W-124A	Guide Bracket Assembly-left	1
124-1...	TS-1504031	Hex Socket Cap Screw	M8x16	6
125.....	TS-1540061	Washer	M8	4
126.....	BB-6201VV.....	Ball Bearing.....	8
127.....	HBS916W-127	Eccentric Sleeve.....	2
127-1...	HBS1018W-127-1 ..	Sleeve (not shown)	2
128.....	TS-1551061	Lock Washer.....	M8	4
129.....	TS-1504091	Hex Socket Cap Screw	M8x45	4

Список деталей: ленточная пила по металлу MBS-1014W

№	№ детали	обозначение	размер	кол-во
130.....	TS-1503071	Hex Socket Cap Screw	M6x30	4
130-1...	TS-1550041	Washer	M6	8
131.....	HBS916W-131	Blade Guide		4
132.....	TS-1504081	Hex Socket Cap Screw	M8x40	4
133.....	TS-1551081	Lock Washer	M8	4
133-1...	TS-1550081	Washer	M8	4
134.....	HBS1018W-134A ..	Adjustable Bracket		1
135.....	HBS1018W-135E.....	Scale		1
136.....	TS-1505031	Hex Socket Cap Screw	M10x25	2
137.....	HBS1018W-137 ...	Slide		1
138.....	HBS1018W-138 ...	Blade Bracket-left.....		1
139.....	TS-1492021	Hex Cap Bolt	M12x30	4
139-1 ..	TS-1551081	Lock Washer	M12	4
141.....	MBS1014W-141 ...	Knob		2
143.....	TS-1524021	Set Screw	M8x10	4
144.....	HBS1018W-144 ...	Blade Bracket-right.....		1
145.....	TS-1482011	Hex Cap Bolt	M6x10	1
146.....	TS-1550041	Washer	M6	1
147.....	HBS916W-147	Wire Brush		1
148.....	HBS916W-148	Wire Brush Rod		1
149.....	HBS1018W-149 ...	Guide Bracket-right		1
.....	HBS1018W-149A ..	Guide Bracket Assembly-right		1
150.....	HBS916W-150	Spring		1
152.....	TS-1540071	Hex Nut	M10	2
154.....	HBS1018W-154A ..	Adjustable Bracket-right.....		1
155.....	TS-1540081	Hex Nut	M12	1
156.....	TS-1492061	Hex Cap Bolt	M12x60	1
157.....	HBS1018W-157A ..	Blade Guard		1
157-1 ..	HBS1018W-157-1 ..	Blade Guard-down.....		1
158.....	HBS916W-158	Lock Knob		2
159.....	TS-1523021	Set Screw	M6x8	1
160.....	HBS916W-160	Adjustable Valve		2
160-1...	HBS916W-160-1 ...	Clamp		2
160-2...	TS-1551041	Lock Washer	M6	4
160-3...	TS-1482021	Hex Cap bolt	M6x12	4
161.....	HBS916W-161	Power Indicator Light.....		1
162.....	HBS916W-162	Start Switch		1
163.....	HBS916W-163	Stop Switch		1
164.....	HBS916W-164	Pump Switch		1
165N....	HBS916W-165N	Feed Control-On/off Valve		1
.....	HBS916W-165N-1 ..	Plate (not shown) (S/N: 91248& higher 1014W)		1
166.....	HBS916W-166	Connecting Tube		1
166-1...	HBS916W-166-1 ...	Hose Clamp		3
168.....	HBS916W-168	Control Box		1
169.....	HBS916W-169	Control Panel		1
170.....	TS-1533031	Pan Head Screw	M5x10	6
171.....	HBS1018W-171 ...	Wheel Box-left		1
172.....	HBS916W-172	Handle		1
173.....	TS-1540081	Hex Nut	M12	2
175.....	TS-1533031	Pan Head Screw	M5x10	2
176.....	HBS916W-176	Indicator Scale.....		1
177.....	HBS916W-177	Slide Bracket		1

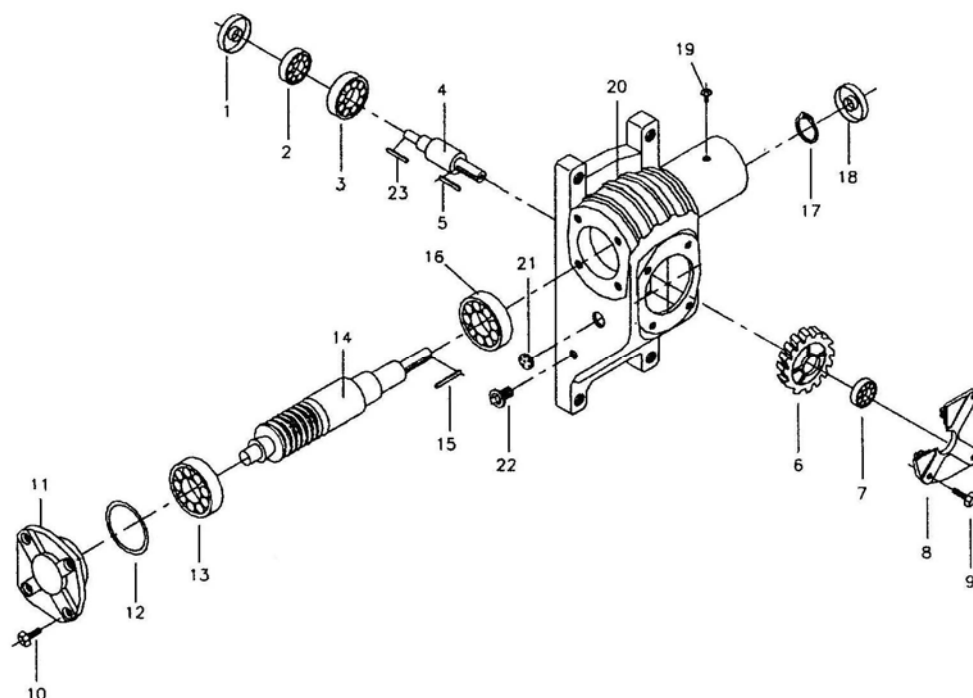
Список деталей: ленточная пила по металлу MBS-1014W

№	№ детали	обозначение	размер	кол-во
178.....	HBS916W-178	Tension Shaft		1
179.....	HBS916W-179	Key	5mm	1
180.....	HBS916W-180	Handwheel		1
181.....	HBS916W-181	Lock Washer	M22	13
182.....	HBS916W-182	Flat Steel Washer		1
183.....	HBS916W-183	Tension Indicator		1
184.....	BB-51104	Thrust Bearing		1
187.....	HBS916W-187	Slide		1
188.....	TS-1524021	Set Screw	M8x10	2
189.....	HBS916W-189	Extension Bar		1
190.....	HBS916W-190	Wheel Shaft		1
191.....	TS-1540081	Hex Nut	M12	1
191-1...	TS-1523021	Set Screw	M6x8	3
192.....	TS-1504051	Hex Socket Cap Screw	M8x25	4
192N...	TS-1503021	Hex Socket Cap Screw	M6x12	2
193.....	TS-1492011	Hex Socket Cap Screw	M12x25	1
194.....	HBS916W-194	Gib		2
195.....	HBS916W-195	Hex Cap Screw (re: HBS916W-196)		3
196.....	HBS916W-196	Screw Assembly		3
196-1...	HBS916W-196-1	Lock Washer (re: HBS916W-196)		3
197.....	HBS916W-197	Hose Fitting		1
198.....	HBS916W-198	Hose Clamp		1
199.....	HBS916W-199	Hose Clamp		1
202.....	MBS1014W-202	Power Cord	H07RNF-4G 1.0mm	1
206.....	HBS916W-206	Speed Chart Label		1
207.....	HBS916W-207	Hose		1
208.....	HBS916W-208	Hose		1
213.....	TS-1550071	Washer	M10	5
214.....	HBS1018W-214	Clamp		2
215.....	HBS1018W-215	Connector		2
216.....	MBS1014W-216	Fixed Vise Jaw		1
217.....	MBS1014W-217	Cotter Pin		1
218.....	MBS1014W-218	Spring Cover		1
219.....	MBS1014W-219	Adjustable Handle		1
220A...	MBS1014W-220A	Support (S/N:0202756 and higher)		1
221.....	MBS1014W-221	Adjustable Handle		1
222.....	MBS1014W-222	Bracket		1
223.....	MBS1014W-223	Bracket		1
224.....	MBS1014W-224	Slide		1
225.....	MBS1014W-225	Guide Plate		1
226.....	MBS1014W-226	Turing Slide		1
226A...	MBS1014W-226A	Scale		1
227.....	MBS1014W-227	Bracket		1
228.....	BB-51106	Thrust Bearing (S/N:0202755 and lower)		1
231A...	MBS1014W-231A	Turning Slide (S/N:0202756 and higher)		1
232.....	MBS1014W-232	Turn Plate		1
233.....	MBS1014W-233	Coolant Pump Bracket		1
234.....	TS-1491061	Hex Cap Bolt	M10x40	3
235.....	TS-1482041	Hex Socket Cap Screw	M6x20	6

Список деталей: ленточная пила по металлу MBS-1014W

№	№ детали	обозначение	размер	кол-во
236.....	MBS1014W-236	Washer		1
237.....	MBS1014W-237	Lock Knob		1
238.....	MBS1014W-238	Brass Fitting		2
239.....	TS-1524041	Set Screw	M8x16	1
240.....	TS-1550101	Washer	M16	2
241.....	MBS1014W-241	Stop Rod		1
242.....	MBS1014W-242	Panel Cover		1
243.....	TS-1491031	Hex Cap Bolt		2
244.....	MBS1014W-244	ID Label, Warning Label (not shown)		1
245N...	MBS1014W-245N	Slide Bracket (S/N:01021647 and higher)		1
246N...	MBS1014W-246N	Lead Screw Bracket (S/N:01021647 and higher)		1
247N...	MBS1014W-247N	Rack Block (S/N:01021647 and higher)		1
248N...	MBS1014W-248N	Rack (S/N:01021647 and higher)		1
248N-1.	MBS1014W-248N-1	Bushing		1
248N-2.	TS-1503041	Hex Socket Cap Screw	M6x25	1
248N-3.	TS-1551041	Lock Washer	M6	1
249.....	MBS1014W-249	Pin		1
250.....	MBS1014W-250	Pin	4x16	1
251.....	MBS1014W-251E	Pin		2
252.....	MBS1014W-252E	Grounding Plate		1
253.....	MBS1014W-253E	General Switch		1
254.....	MBS1014W-254E	Fuse	2A	2
254-1 ..	MBS1014W-254-1E	Fuse	3A	1
255.....	MBS1014W-255E	Flexible Set Ring		1
256.....	MBS1014W-256E	Set Screw	M8x10	2
257.....	MBS1014W-257E	Limit Switch	1307	1
258.....	MBS1014W-258E	Washer	M4	2
259.....	MBS1014W-259E	Round Head Screw	5/32"x1"	2
260.....	MBS1014W-260E	Cover		1
261.....	MBS1014W-261E	Hex Cap Bolt	M6x12	2
262.....	MBS1014W-262E	Spring Washer	M6	2
263.....	MBS1014W-263E	Washer	M6	2
264.....	MBS1014W-264E	Relief Bushing		1
265.....	MBS1014W-265E	Electrical Wire		1
266.....	MBS1014W-266E	Eccentric Shaft		2
266-1..	MBS1014W-266-1E	Set Screw	M6x8	2
267.....	MBS1014W-267E	Limit Switch		2
268.....	MBS1014W-268E	Round Head Screw	5/32x32	4
269.....	MBS1014W-269E	Limit Switch Guard		2
270.....	MBS1014W-270E	Round Head Screw	M5x10	4
271.....	MBS1014W-271E	Belt Cover Safety Limit Switch		1
272.....	MBS1014W-272E	Round Head Screw	5/32x32	2
273.....	MBS1014W-273E	Limit Switch Plate		1
274.....	MBS1014W-274E	Hex Cap Bolt	M6x12	2
275.....	MBS1014W-275E	Lock Washer	M6	2

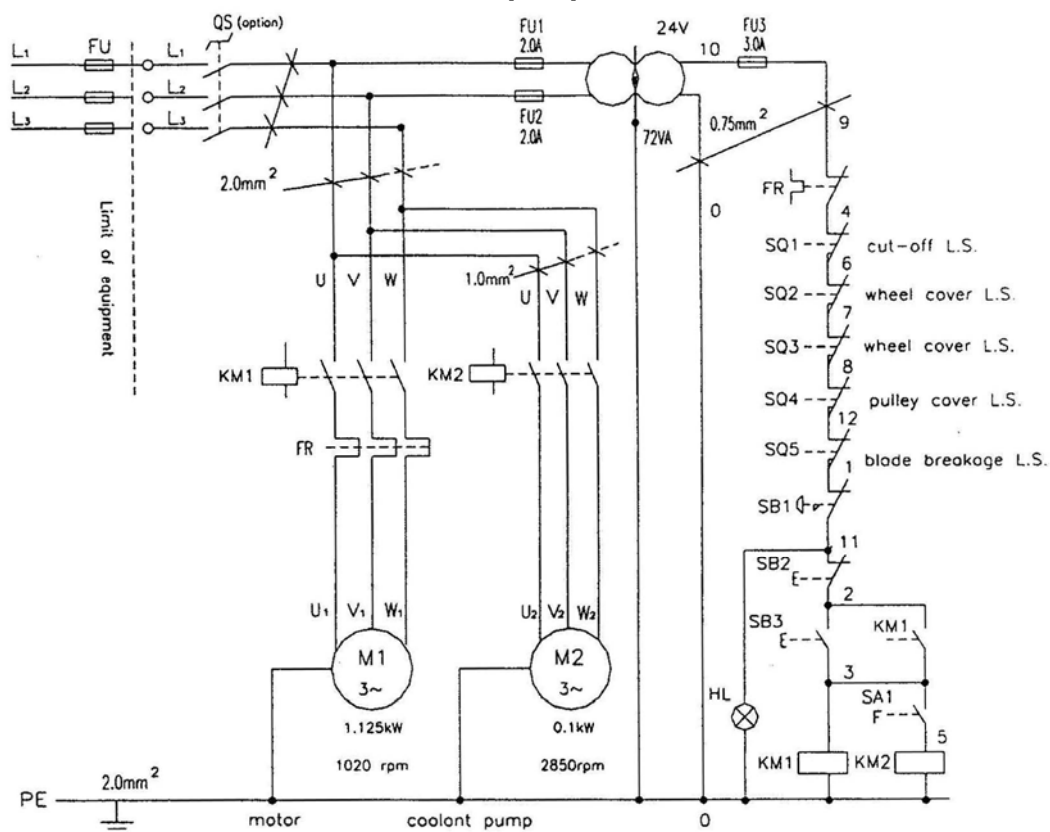
Монтажная схема: коробка передач в сборе



Список деталей: коробка передач в сборе

№	№ детали	обозначение	размер	кол-во
1	HBS916W-94-01	Oil Seal	35 x 55 x 8	1
2	HBS916W-94-02	Bearing	30207	1
3	HBS916W-94-03	Bearing	6207	1
4	HBS916W-94-04	Shaft		1
5	HBS916W-94-05	Key	8x7x30	1
6	HBS916W-94-06	Gear Wheel		1
7	HBS916W-94-07	Bearing	6206	1
8	HBS916W-94-08	Output Shaft Cover		1
9	HBS916W-94-09	Output Hex Cap Screw	M10 x 20	4
10	HBS916W-94-10	Input Hex Cap Screw	M8 x 20	4
11	HBS916W-94-11	Input Shaft Cover		1
12	HBS916W-94-12	Washer		1
13	HBS916W-94-13	Bearing	30205	1
14	HBS916W-94-14	Input Shaft		1
15	HBS916W-94-15	Key		1
16	HBS916W-94-16	Bearing	6205	1
17	HBS916W-94-17	C-ring	R52	1
18	HBS916W-94-18	Oil Seal	25x52 x8	1
19	HBS916W-94-19	Vent Bolt		1
20	HBS916W-94-20	Gear Box		1
21	HBS916W-94-21	Oil Lens		1
22	HBS916W-94-22	Draw Plug		1
23	HBS916W-94-23	Key	7x7 x 45	1

380/50/3



MBS-1014W 414477T

	цвета проводов	
BK	Black	Чёрный
WH	White	Белый
BU	Blue	Синий
YE	Yellow	Жёлтый
RD	Red	Красный
BN	Brown	Коричневый
GY	Grey	Серый
GNYE	Green-yellow	Зелёно-жёлтый
OG	Orange	Оранжевый
VT	Violet	Фиолетовый

	meaning of symbol	значение символа
M	Motor	Двигатель
S	Switch	Выключатель
C	Condenser	Конденсатор
E	Electronic unit	Электронный блок
F	Fuse	Предохранитель
RS	Reversing switch	Переключатель полярности
CS	Centrifugal switch	Центробежный выключатель
OL	Overload switch	Защита от перегрузки
LS	Limit switch	Концевой выключатель