

JET

MBS-800DS **СТРОИТЕЛЬНЫЙ
ЛЕНТОЧНОПИЛЬНЫЙ
СТАНОК**

380/50/3

ДЕТАЛИРОВКА

Walter Meier AG

Bahnstrasse 24, CH – 8603 Schwerzenbach

www.jettools.com; info@jettools.com

Tel +41 (0) 44 806 47 48

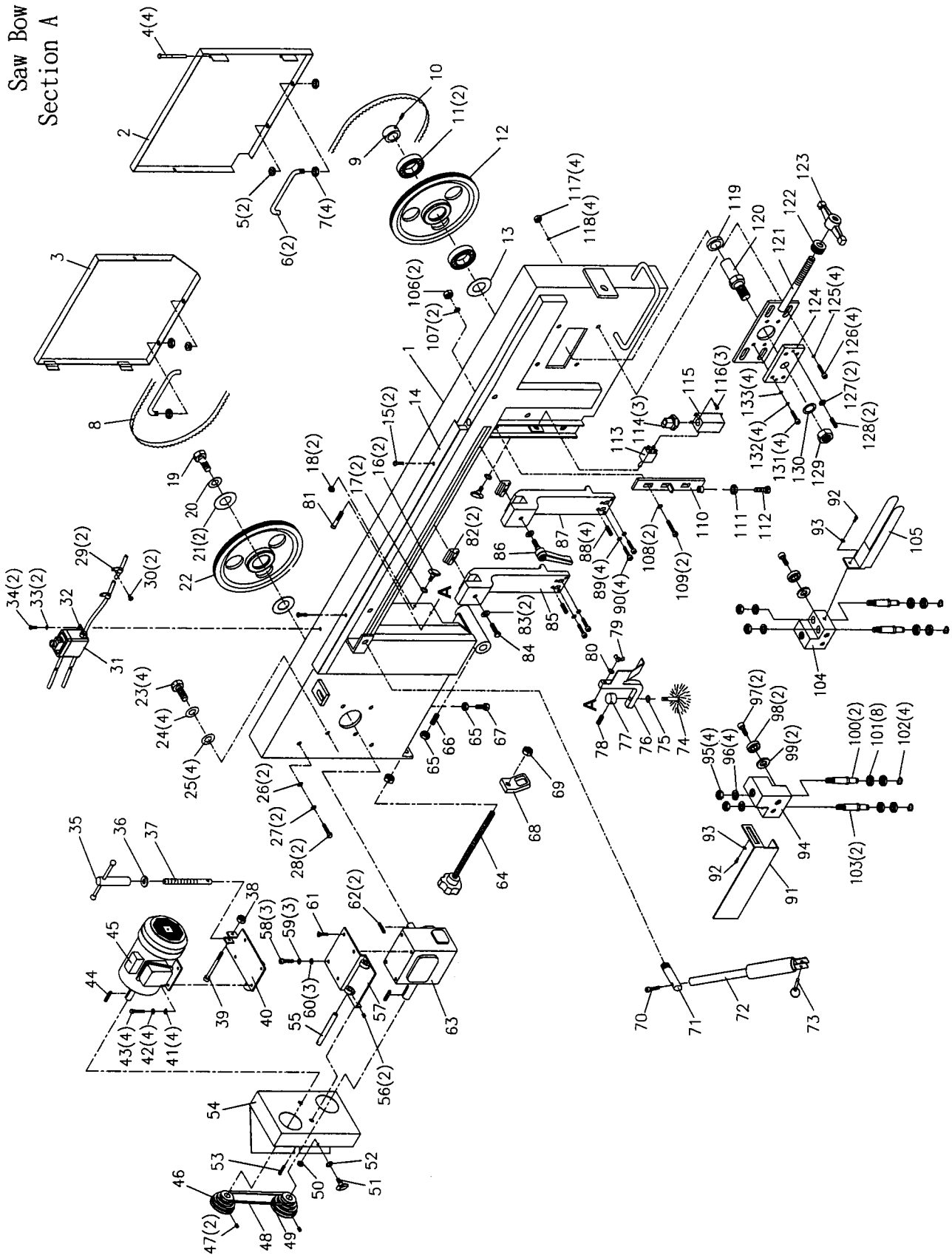
Fax +41 (0) 44 806 47 58

ITA800.....7/2010

SECTION A - Parts List

Part No.	Description	Size No.	Q'ty	Part No.	Description	Size No.	Q'ty
A1	Saw frame		1	A68	Spring anchor		1
A2	Idler wheel guard		1	A69	Nut	1/2"-12	1
A3	Drive wheel guard		1	A70	Socket head bolt	M6x25	1
A4	Hinge pin		4	A71	Rod		1
A5	Grommet		2	A72	Cylinder assembly		1
A6	Holding bar		2	A73	Pin		1
A7	Nut	M8	4	A74	Brush		1
A8	Blade		1	A75	Flat washer	M6	1
A9	Ring		1	A76	Bracket		1
A10	Set screw	M8x8	1	A77	Nut		1
A11	Ball Bearing	R10ZZ	2	A78	Set screw	M8	1
A12	Idler wheel		1	A79	Wing screw		1
A13	Flat washer		3	A80	Flat washer	M6	1
A14	Cable cover		1	A81	Socket head bolt	M8x40	1
A15	Socket pan head screw	M6x10	2	A82	T-block		2
A16	Knob		2	A83	Flat washer	3/8	2
A17	Flat washer	M6	2	A84	Hex head bolt	3/8x1-1/4"	1
A18	Nut	M6	2	A85	Rear support arm		1
A19	Hex head bolt	5/16x3/4	1	A86	Handle lock screw	3/8	1
A20	Spring washer	M22	1	A87	Front support arm		1
A21	Flat washer		2	A88	Set screw	M6x16	4
A22	Drive wheel		1	A89	Flat washer	M6	4
A23	Hex head bolt	5/16x3/4	4	A90	Socket head bolt	M6x25	4
A24	Spring washer	M8	4	A91	Rear blade guard		1
A25	Flat washer	M8	4	A92	Hex head bolt	M6x10	2
A26	Flat washer	M6	2	A93	Flat washer	M6	2
A27	Spring washer	M6	2	A94	Rear guide bracket		1
A28	Socket head bolt	M6x12	2	A95	Nut	M8	4
A29	Fixed plastic		2	A96	Washer	M8	4
A30	Round head screw	M4x8	2	A97	Socket head bolt	M8x20	2
A31	Switch box		1	A98	Ball Bearing	608ZZ	2
A32	Fixed plate		1	A99	Spring washer	M8	2
A33	Flat washer		2	A100	Eccentric shaft		2
A34	Hex head bolt		2	A101	Ball Bearing	608ZZ	8
A35	Belt tensioning handle		1	A102	E ring		4
A36	Flat washer	M5	1	A103	Bearing shaft		2
A37	Screw bar		1	A104	Front guide bracket		1
A38	Nut	M5	1	A105	Front blade guard		1
A39	Socket head bolt	M5x35	1	A106	Nut	M6	2
A40	Motor plate		1	A107	Spring washer	M6	2
A41	Flat washer	M6	4	A108	Flat washer	M6	2
A42	Spring washer	M6	4	A109	Socket head bolt	M6x25	2
A43	Hex head bolt	M6x12	4	A110	Stop plate		1
A44	Key		1	A111	Nut	M8	1
A45	Motor		1	A112	Hex head bolt	M8x40	1
A46	Motor pulley		1	A113	Toggle switch		1
A47	Set screw	5/16x1/4	2	A114	Strain relief		3
A48	Belt		1	A115	Toggle switch cover		1
A49	Driven pulley		1	A116	Socket pan head screw	M4x8	3
A50	Nut	M6	1	A117	Nut	M6	4
A51	Knob		1	A118	Spring washer	M6	4
A52	Flat washer	M6	1	A119	Spacer		1
A53	Socket pan head screw	M5x6	1	A120	Idler shaft		1
A54	Pulley cover		1	A121	Slide		1
A55	Pivot		1	A122	Concave washer		1
A56	Set screw	M6x5	2	A123	Handle		1
A57	Motor bracket		1	A124	Plate		1
A58	Hex head bolt	5/16x3/4	3	A125	Flat washer	M6	4
A59	Spring washer	M8	3	A126	Socket head bolt	M6x25	4
A60	Flat washer	M8	3	A127	Nut	M8	2
A61	Flat head screw	5/16x3/4	1	A128	Set screw	M8x20	2
A62	Key		2	A129	Nut	3/4	1
A63	Gear box		1	A130	Flat washer	M20	1
A64	Adjusting bolt		1	A131	Socket head bolt	M6x20	4
A65	Nut	M8	2	A132	Spring washer	M6	4
A66	Set screw	M8x20	1	A133	Flat washer	M6	4
A67	Hex head bolt	M8x45	1				

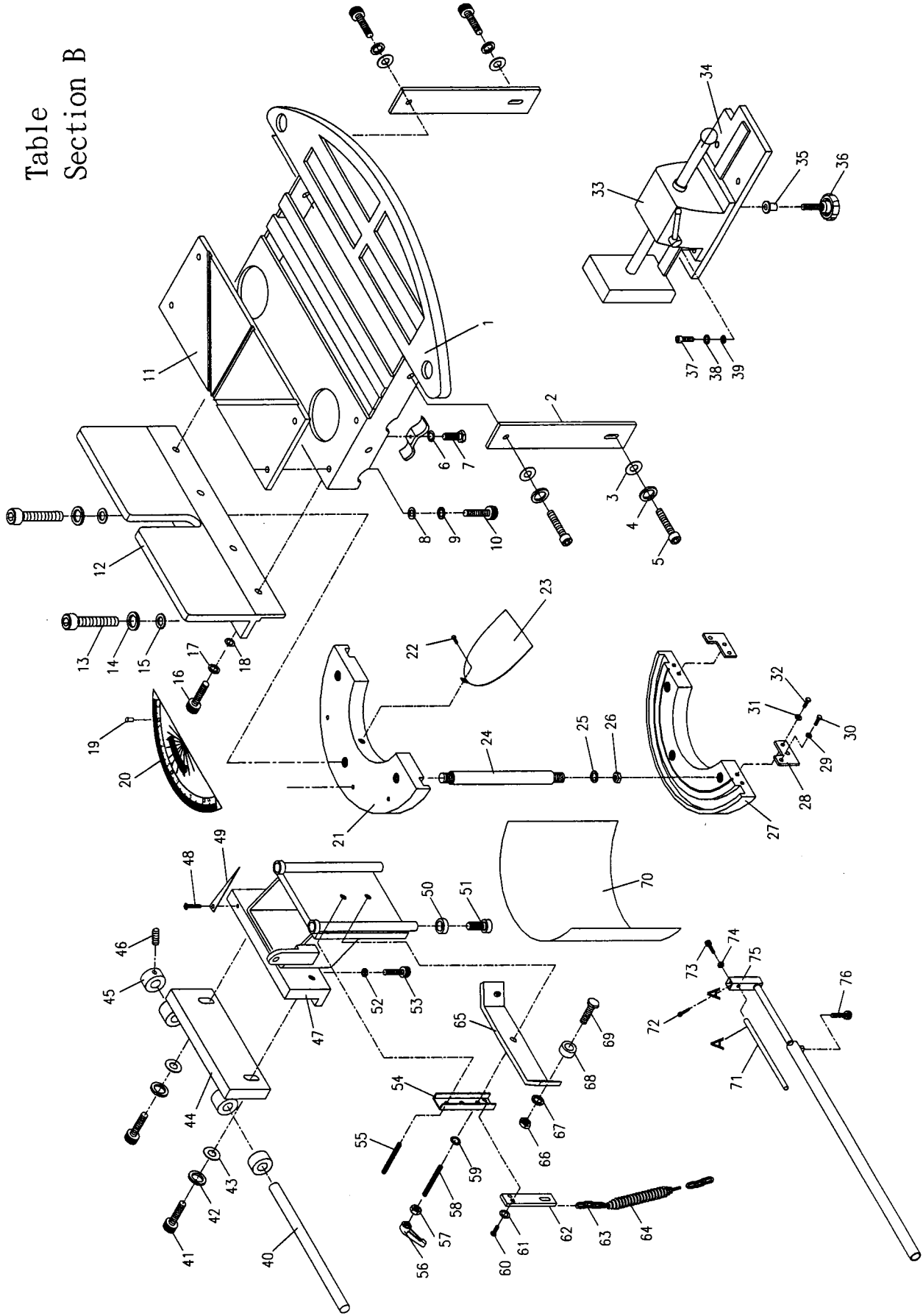
Saw Bow
Section A



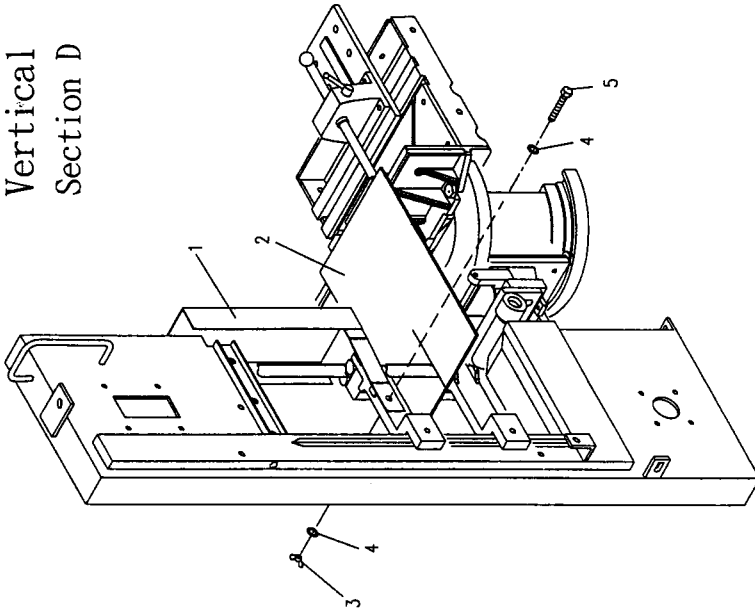
SECTION B - Parts List

Part No.	Description	Size No.	Q'ty	Part No.	Description	Size No.	Q'ty
B1	Table base		1	B46	Set screw	M8x20	2
B2	Support plate		1	B47	Swiveling base		1
B3	Flat washer	M8	8	B48	Flat head screw	M6x10	1
B4	Spring washer	M8	4	B49	Angle scale		1
B5	Socket head bolt	M8x20	4	B50	Collar		4
B6	Flat washer	M8	2	B51	Socket head bolt	M8x20	4
B7	Hex head bolt	M8x30	2	B52	Nut	M6	2
B8	Flat washer	M6	4	B53	Socket head bolt	M6x35	2
B9	Spring washer	M6	4	B54	Fixed plate		1
B10	Socket head bolt	M6x15	4	B55	Screw	M12x1.75x65L	1
B11	Cutting plate		1	B56	Universal joint		1
B12	Fixed vise		1	B57	Nut		1
B13	Socket head bolt	M8x45	2	B58	Screw	M12x1.75x70L	1
B14	Spring washer	M8	2	B59	Flat washer	M12	1
B15	Flat washer	M8	2	B60	Socket head bolt	M8x25	2
B16	Socket head bolt	M8x30	4	B61	Washer		1
B17	Spring washer	M8	4	B62	Spring bracket		1
B18	Flat washer	M8	4	B63	Chain		2
B19	Flat head screw	M6x1.0	3	B64	Spring		1
B20	Angle scale		1	B65	Bearing plate		1
B21	Upper swiveling guide		1	B66	Nut	M12	2
B22	Hex head bolt	M6x1.0x12	1	B67	Spring washer	M12	2
B23	Chip collecting plate		1	B68	Bearing	6001	2
B24	Support pipe		3	B69	Socket head bolt	M12x30	2
B25	Flat washer	M12	3	B70	Cover		1
B26	Nut	M12	3	B71	Stop rod		1
B27	Lower swiveling guide		1	B72	Socket head bolt	M6x40	1
B28	Stop plate		2	B73	Socket head bolt	1/2x2"	1
B29	Nut	M8	2	B74	Nut	1/2"	1
B30	Hex head bolt	M8x35	2	B75	Square pipe		1
B31	Flat washer	M6	4	B76	Hex head bolt	M10x15	1
B32	Socket head bolt	M6x25	4				
B33	Vise device		1				
B34	Vise sliding guide		1				
B35	Vise spacer		1				
B36	Vise lock knob		1				
B37	Socket head bolt	M8x40	2				
B38	Spring washer	M8	2				
B39	Flat washer	M8	2				
B40	Shaft		1				
B41	Socket head bolt	M12x30	2				
B42	Spring washer	M12	2				
B43	Flat washer	M12	2				
B44	Shaft seat		1				
B45	Spacer		1				

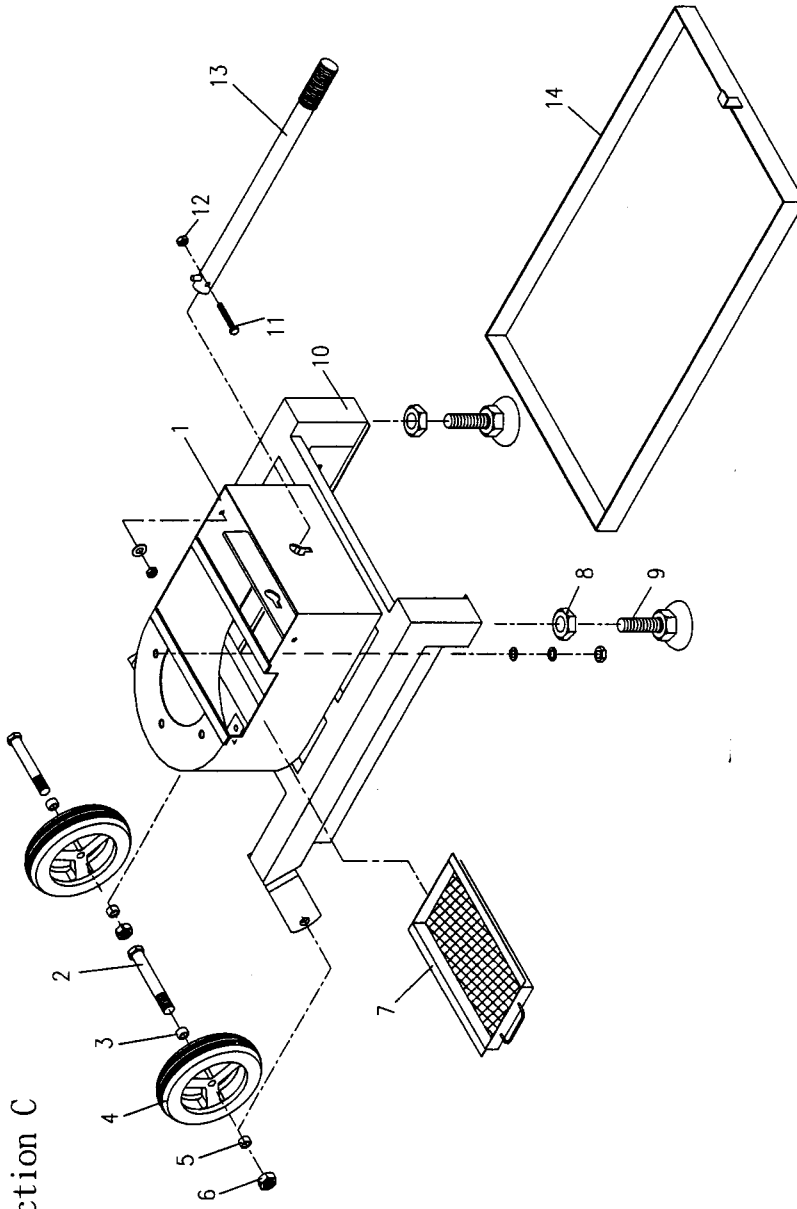
Table
Section B



Vertical
Section D



Base
Section C



Control Wiring

KJD18 / 380V
Relay

ON

