

# **J E T**

**MBS-910CS Metal Working Bandsaw**

**50000341T**

**400/50/1**

**PARTS LIST  
ERSATZTEILLISTE  
LISTE DE PIECES**

**WMH Tool Group AG**

Bahnstrasse 24, CH – 8603 Schwerzenbach

[www.wmhtoolgroup.ch](http://www.wmhtoolgroup.ch); [info@wmhtoolgroup.ch](mailto:info@wmhtoolgroup.ch)

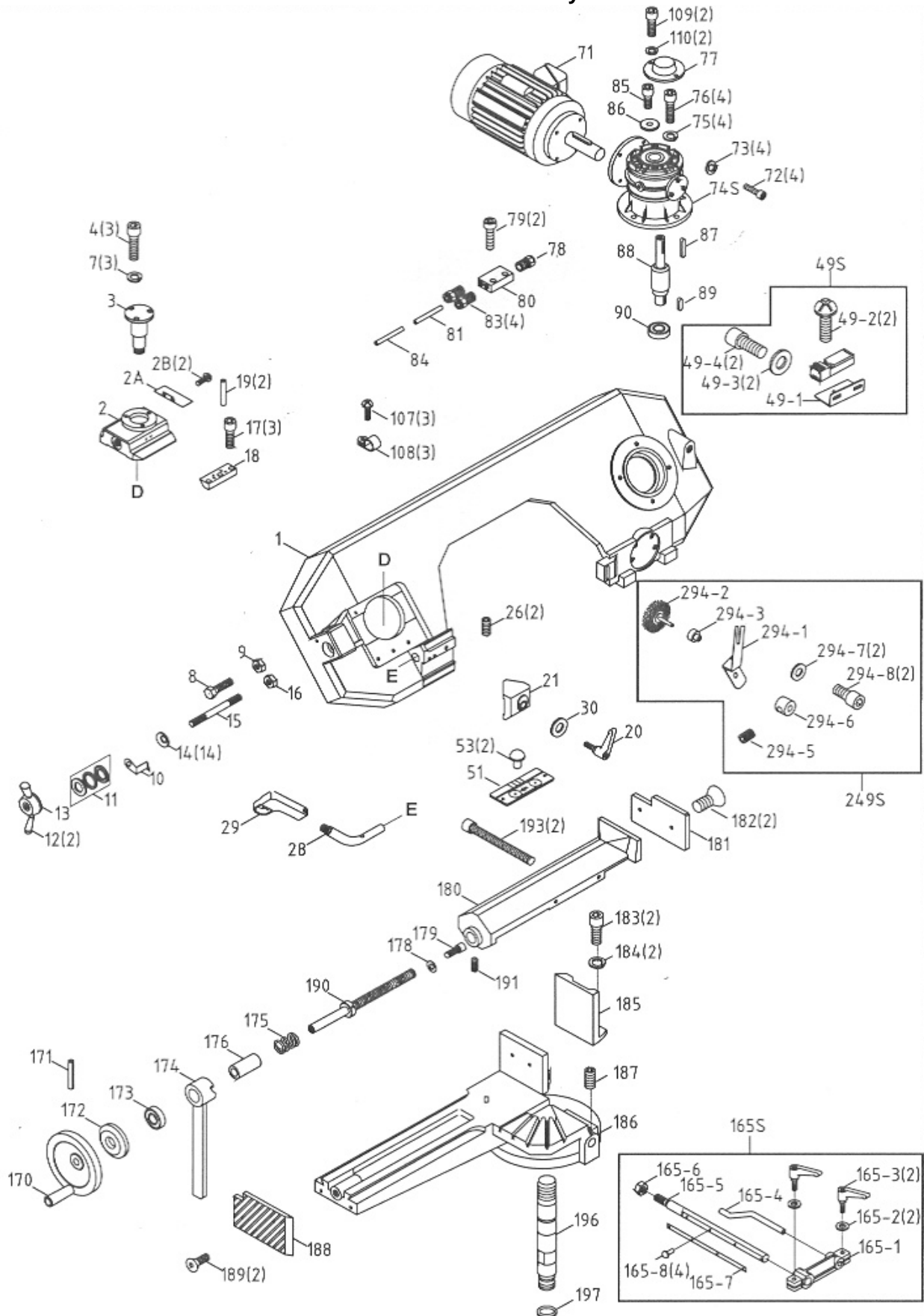
Tel +41 (0) 44 806 47 48

Fax +41 (0) 44 806 47 58

P-50000341T 09/06

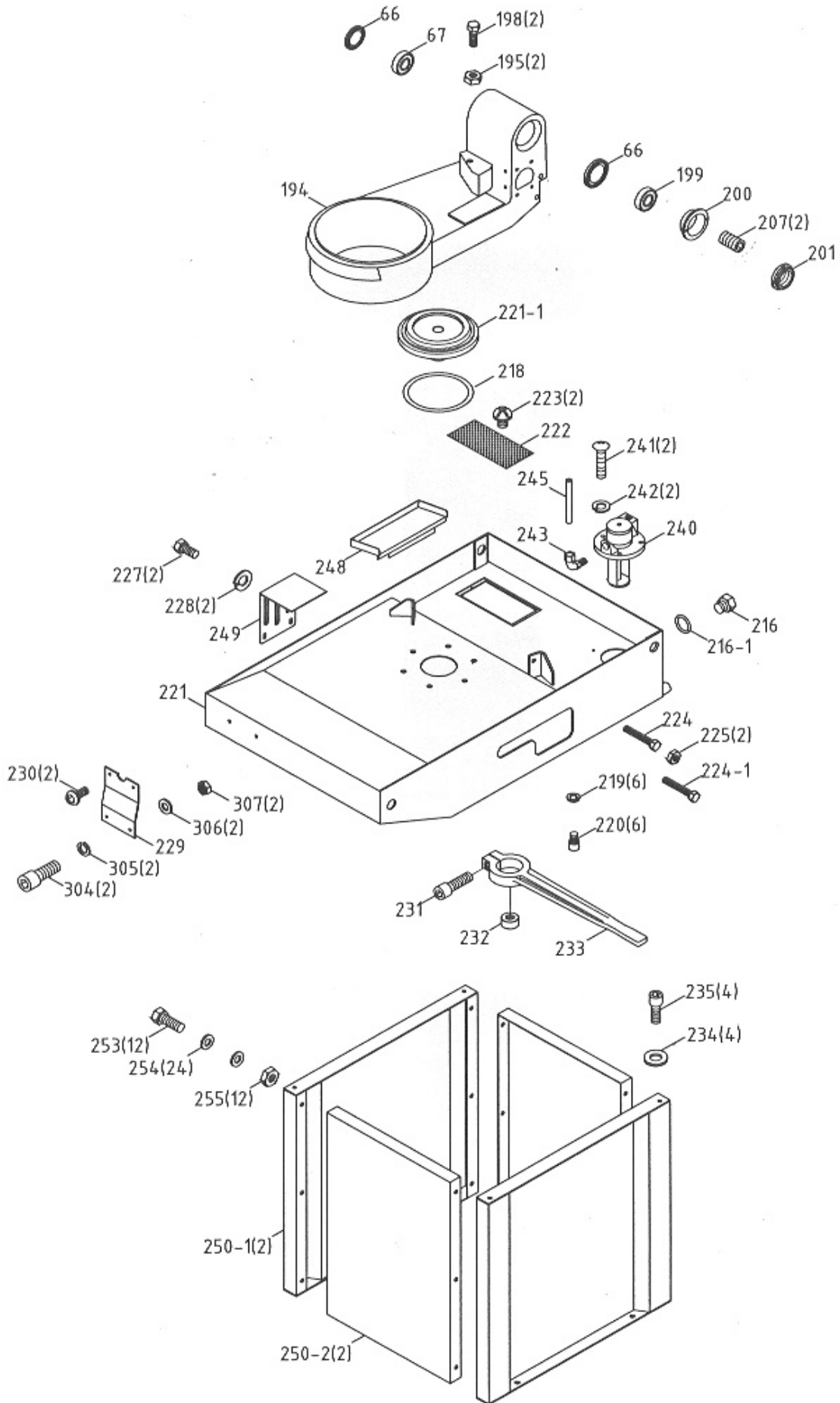


# Breakdown for the MBS910CS Transmission Assembly





# Breakdown for the MBS910CS Transmission Assembly



**Parts List for the MBS910CS  
Transmission Assembly**

<b>Index No.</b>	<b>Part No.</b>	<b>Description</b>	<b>Size</b>	<b>Qty.</b>
1	MBS910CS-01	Body Frame		1
2	MBS910CS-02	Anchor Block		1
2A	MBS910CS-02A	Anchor Plate		1
2B	MBS708CS-02B	Round Head Screw	M5X10L	2
3	MBS910CS-03	Shaft		1
4	MBS910CS-04	Hex. Socket Head Screw	M8X30L	3
5	MBS910CS-05	Anti-Chip Cover		2
6	MBS910CS-06	Tapered Bearing		2
7	MBS910CS-07	Spring Washer	M8	3
8	MBS708CS-08	Hex. Head Screw	M8X45L	1
9	TS-1541031	Hex. Nut	M8	1
10	MBS708CS-10	Indication Plate		1
11	MBS708CS-11	Bearing		1
12	MBS708CS-12	Knob		2
13	MBS708CS-13	Blade Tension Handle		1
14	MBS708CS-14	Spring Washer	øID16.3Xø31.5X1.8t	14
15	MBS910CS-15	Lead screw		1
16	MBS708CS-16	Hex. Nut	M16XP2	1
17	MBS910CS-17	Hex. Socket Head Screw	M8X20L	3
18	MBS708CS-18	Fixed Block		1
19	MBS708CS-19	Pin	ø 5X40	2
20	MBS910CS-20	Grip		1
21	MBS910CS-21	Fixed Block		1
22	MBS910CS-22	Hex. Socket Head Screw	M8X20L	2
23	MBS708CS-23	Hex. Socket Headless Screw	M6X15L	4
24	MBS910CS-24	Hex. Socket Headless Screw	M6X20L	2
25	MBS910CS-25	Blade adjust stick		1
26	MBS708CS-26	Hex. Socket Headless Screw	M8X10L	2
27	MBS708CS-27	Hex. Socket Head Screw		1
28	MBS708CS-28	Connecting Tube		1
29	MBS708CS-29	Handle		1
30	TS-1550071	Washer	M10	1
32	MBS910CS-32	Round Head Screw	M6X30L	4
35	MBS910CS-35	Hex. Socket Head Screw	M6X8L	2
38	MBS910CS-38	Blade Adjust		1
39	MBS910CS-39	Hex. Socket Headless Screw	M8X20L	2
40	MBS910CS-40	Hex. Nut	M8XP1.25	2
41	MBS910CS-41	Guide		2
42	MBS910CS-42	Guide		2
43	MBS910CS-43	Eccentric Guide		2
44	MBS910CS-44	Bearing		4
45	MBS708CS-45	C-Retainer Ring	ø 8	4
46	MBS910CS-46	Eccentric Guide		2
47	MBS910CS-47	Round Head Screw	M6X15L	2
48	MBS910CS-48	Blade Cover		1
49S	MBS708CS-49S	Power Cutting Bracket		1
49-1	MBS708CS-49-1	Power Cutting Bracket		1
49-2	MBS708CS-49-2	Cross Round Head Screw	M3x30L	2
49-3	TS-1550041	Washer	M6	2
49-4	MBS708CS-49-4	Hex. Socket Head Screw	M6X12L	2
51	MBS910CS-51	Scale		1
52	MBS910CS-52	Hex. Socket Headless Screw	M6X6L	2

**Parts List for the MBS910CS  
Transmission Assembly**

<b>Index No.</b>	<b>Part No.</b>	<b>Description</b>	<b>Size</b>	<b>Qty.</b>
53	MBS910CS-53	Rivet	ø 2X6	2
54	MBS910CS-54	Blade Adjustable		1
55	MBS910CS-55	Hex. Socket Headless Screw	M6X6L	2
56	MBS910CS-56	Hex. Socket Head Screw	M8X35L	2
57	TS-1550061	Washer	M8	2
58	MBS910CS-58	Blade Cover		1
59	TS-1550031	Washer	M5	2
60	MBS910CS-60	Round Head Screw	M5X10L	2
63	MBS910CS-63	Hex. Socket Head Screw	M10X40L	2
64	MBS910CS-64	Hex. Socket Head Screw	M10X25L	2
65	MBS910CS-65	Frame Pivot Shaft		1
66	MBS910CS-66	Anti-Chip Cover		2
67	MBS910CS-67	Tapered Bearing		1
71	MBS910CS-71	Motor	1.5HP/400/50/3PH	1
72	MBS910CS-72	Hex. Socket Head Screw	M6x25L	4
73	MBS708CS-73	Spring Washer	M6	4
74S	MBS910CS-74S	Gear Box		1
75	MBS910CS-75	Spring Washer	M10	4
76	MBS910CS-76	Hex. Socket Head Screw	M10x20L	4
77	MBS910CS-77	Reducer Cover		1
78	MBS708CS-78	Hose Fitting	ø 8X1/4"PT	1
79	MBS708CS-79	Hex. Socket Head Screw	M6X15L	2
80	MBS708CS-80	3 Way Valve		1
81	MBS708CS-81	PU Tube	ø 6x240L	1
82	MBS708CS-82	Valve	1/8"	2
82A	MBS708CS-82A	Handle		2
83	MBS708CS-83	Hose Fitting	ø 6X1/8"PT	4
84	MBS910CS-84	PU Tube	ø 6x800L	1
85	MBS910CS-85	Hex. Socket Head Screw	M10X30L	1
86	MBS708CS-86	Prive Shaft Washer		1
87	MBS708CS-87	Round Head Key	8X7X50	1
88	MBS910CS-88	Output Shaft		1
89	MBS910CS-89	Round Head Key	8X7X25	1
90	MBS910CS-90	Bearing		1
91	MBS910CS-91	Spring Support		1
92	MBS910CS-92	Spring		1
93	TS-1550071	Washer	M10	2
94	MBS910CS-94	Hex. Socket Head Screw	M10X40L	1
95	MBS910CS-95	Cylinder Assembly		1
96	MBS910CS-96	Idler Wheel		1
99	MBS910CS-99	Nut		1
100	MBS910CS-100	Blade	0.9X27X2450X5/8T	1
101	MBS910CS-101	Drive Wheel		1
102	MBS708CS-102	Drive Shaft Washer		1
103	MBS910CS-103	Hex. Head Screw	M12X30L	1
104	MBS910CS-104	Blade Back Cover		1
105	MBS708CS-105	Hex. Socket Head Screw	M6X15L	4
106	TS-1550041	Washer	M6	4
107	MBS910CS-107	Cross Round Head Screw	M5X20L	3
108	MBS910CS-108	Hose Clip	ø 8	3
109	MBS910CS-109	Hex. Socket Head Screw	M8x15L	2
110	MBS910CS-110	Spring Washer	M8	2
115	MBS910CS-115	Label		1

**Parts List for the MBS910CS  
Transmission Assembly**

<b>Index No.</b>	<b>Part No.</b>	<b>Description</b>	<b>Size</b>	<b>Qty.</b>
116	MBS910CS-116	Cover		1
117	MBS910CS-117	Round Head Screw	M5x15L	2
165S	MBS708CS-165S	Distance Set Rod Assembly		1
165-1	MBS708CS-165-1	Distance Set Bracket		1
165-2	TS-1550051	Washer	M8	2
165-3	MBS708CS-165-3	Knob		2
165-4	MBS708CS-165-4	Stock Stop Rod		1
165-5	MBS708CS-165-5	Distance Set Rod		1
165-6	MBS708CS-165-6	Hex. Nut	M14xP1.5	1
165-7	MBS708CS-165-7	Scale		1
165-8	MBS708CS-165-8	Rivet	ø 2	4
170	MBS910CS-170	Wheel		1
171	MBS708CS-171	Pin	ø 5X35	1
172	MBS910CS-172	Bearing Cover		1
173	MBS708CS-173	Bearing	ø 30X ø 47X3.5	1
174	MBS708CS-174	Vise Handle		1
175	MBS708CS-175	Spring		1
176	MBS910CS-176	Bushing		1
178	MBS708CS-178	Washer	ID ø 6.5 OD § 18	1
179	MBS708CS-179	Hex. Socket Head Screw	M6x15L	1
180	MBS910CS-180	Vise Jaw Bracket		1
181	MBS910CS-181	Vise		1
182	MBS708CS-182	Hex. Socket Flat Head Screw	M6X12L	2
183	MBS910CS-183	Hex. Socket Head Screw	M10X30L	2
184	MBS910CS-184	Spring Washer	M10	2
185	MBS910CS-185	Vise		1
186	MBS910CS-186	Vise Jaw Bracket		1
187	MBS910CS-187	Hex. Socket Headless Screw	M8X10L	1
188	MBS910CS-188	Vise		1
189	MBS910CS-189	Hex. Socket Head Screw	M6X15L	2
190	MBS910CS-190	Lead screw A		1
191	MBS708CS-191	Hex. Socket Headless Screw	M8X20L	1
193	MBS910CS-193	Hex. Socket Head Screw	M6X110L	2
194	MBS910CS-194	Swivel Arm		1
195	MBS708CS-195	Hex. Nut	M10	2
196	MBS910CS-196	Vise Jaw Adjustable Rod		1
197	MBS708CS-197	O-Retainer Ring	§ 19.8X § 2.4	1
198	MBS708CS-198	Hex. Head Screw	M10X45L	2
199	MBS910CS-199	Bearing		1
200	MBS910CS-200	Bushing		1
201	MBS910CS-201	Nut		1
202	MBS708CS-202	Bolt		1
202-1	MBS708CS-202-1	Hex. Nut	M10-P1.5	1
203	MBS910CS-203	Hex. Socket Head Screw	M10X115L	1
207	MBS910CS-207	Hex. Socket Headless Screw		2
209	MBS910CS-209	Control Box Base		1
209-1	MBS910CS-209-1	Value		1
209-2	MBS910CS-209-2	Throttle Valve		1
214	MBS910CS-214	Lable for Name Plate		1
215	MBS910CS-215	Control Switch Assembly		1
216	MBS708CS-216	Hex Socket Plug	3/8"PT	1
216-1	MBS708CS-216-1	O-Retainer Ring	P14	1
218	MBS910CS-218	O-Retainer Ring	ID195X5.7W	1

**Parts List for the MBS910CS  
Transmission Assembly**

<b>Index No.</b>	<b>Part No.</b>	<b>Description</b>	<b>Size</b>	<b>Qty.</b>
219	MBS708CS-219	Spring Washer	M10	6
220	MBS910CS-220	Hex. Socket Head Screw	M10X20L	6
221	MBS910CS-221	Stand		1
221-1	MBS910CS-221-1	Swivel Arm Base		1
222	MBS708CS-222	Filter		1
223	MBS708CS-223	Cross Round Head Screw	M4X8L	2
224	MBS708CS-224	Hex. Head Screw	M10X50L	1
224-1	MBS708CS-224-1	Hex. Head Screw	M10X100L	1
225	MBS910CS-225	Hex. Nut	M12XP1.75	2
227	MBS708CS-227	Hex. Head Screw	M10X25L	2
228	MBS708CS-228	Spring Washer	M10	2
229	MBS910CS-229	Fixed Plate		1
230	MBS708CS-230	Round Head Screw	M6X10L	2
231	MBS708CS-231	Hex. Socket Head Screw	M10X35L	1
232	MBS708CS-232	Nut		1
233	MBS910CS-233	Adjustable Handle		1
234	TS-1550051	Washer	M8	4
235	MBS910CS-235	Hex. Socket Head Screw	M8x25L	4
240	MBS708CS-240	Coolant Pump	1/8HP/400V/50HZ	1
241	MBS708CS-241	Cross Round Head Screw	M6X15L	2
242	MBS708CS-242	Spring Washer	M6	2
243	MBS708CS-243	Micro Control Block	3/8"x3/8"	1
245	MBS708CS-245	PU Tube	§ 8x1300L	1
248	MBS708CS-248	Fluid Collected Plate		1
249	MBS910CS-249	Feed Support		1
250	MBS910CS-250	Stand Leg Set		1
250-1	MBS910CS-250-1	Stand Leg		2
250-2	MBS910CS-250-2	Stand Leg		2
253	TS-1490031	Hex. Head Screw	M8x20L	12
254	TS-1550051	Washer	M8	24
255	TS-1541031	Hex. Nut	M8	12
262	MBS910CS-562	Spring Washer	M6	4
263	MBS910CS-263	Hex. Socket Head Screw	M6x15L	4
282	MBS708CS-282	Knob		1
283	MBS708CS-283	Hex. Socket Head Screw	M8X15L	2
292	TS-1541041	Hex. Nut	M10	2
293	MBS708CS-283	Hex. Socket Head Screw	M10X40L	1
294S	MBS910CS-294S	Brush Assembly		1
294-1	MBS910CS-294-1	Brush Support		1
294-2	MBS910CS-294-2	Brush		1
294-3	MBS910CS-294-3	Bushing		1
294-5	MBS910CS-294-5	Hex. Socket Headless Screw	M6X10L	1
294-6	MBS910CS-294-6	Bushing		1
294-7	TS-1550041	Washer	M6	2
294-8	MBS910CS-294-8	Hex. Socket Head Screw	M6x10L	2
304	MBS708CS-304	Hex. Socket Head Screw	M6x15L	2
305	MBS708CS-305	Spring Washer	M6	2
306	TS-1550041	Washer	M6	2
307	TS-1541021	Hex. Nut	M6	2
320	MBS910CS-320	Hose Clip		1
321	MBS910CS-321	Down Bracket		1
323	MBS910CS-323	Hex. Socket Head Screw	M4X30L	2





**Parts List for the MBS910CS  
Electrical Box Assembly**

<b>Index No.</b>	<b>Part No.</b>	<b>Description</b>	<b>Size</b>	<b>Qty.</b>
215	MBS708CS-215	Control Box		1
215-1	MBS708CS-215-1	Magnetic-Contact		1
215-2	MBS708CS-215-2	Push-Button Switch		1
215-3	MBS708CS-215-3	Choice Pole Switch		1
215-4	MBS708CS-215-4	Choice-Switch		1
215-5	MBS708CS-215-5	Emergency-Stop Switch		1
215-6	MBS708CS-215-6	Lamp		1
215-11	MBS708CS-215-11	Box Upper Lib		1
215-12	MBS910CS-215-12	Box Seat	910CS only	1
215-13	MBS708CS-215-13	Cable-Gland		3
215-14	MBS708CS-215-14	Cable-Gland		1
215-15	MBS708CS-215-15	Cable-Gland		3
215-16	MBS708CS-215-16	Net-Pin		1
215-17	MBS708CS-215-17	Din-Rails		1
215-18	MBS708CS-215-18	Grand Copper Pin		1
215-19	MBS708CS-215-19	Power Cable		1
215-20	MBS708CS-215-20	Motor Cable		1
215-21	MBS708CS-215-21	Limit Cable		1
215-22	MBS708CS-215-22	Pump Cable		1
215-23	MBS708CS-215-23	Wire		1
215-24	MBS708CS-215-24	Wire		1
215-25	MBS708CS-215-25	Wire		1
215-26	MBS708CS-215-26	Cross Round Head Screw	M5x8	4
215-27	MBS708CS-215-27	Screw	M4 x 8	11
215-28	MBS708CS-215-28	Screw	M4x6	4
215-29	MBS708CS-215-29	Cross Round Head Screw	M4x15	4
215-30	MBS708CS-215-30	Washer	M5	5
215-31	MBS708CS-215-31	Hole Plug		2
215-32	MBS708CS-215-32	Limit-Switch		1
215-33	MBS708CS-215-33	Cable-Gland		1
215-34	MBS708CS-215-34	Cable-Gland		1
215-35	MBS708CS-215-35	Limit Cable		1
215-36	MBS708CS-215-36	Limit-Switch		1
215-37	MBS708CS-215-37	Cable-Gland		1
215-38	MBS708CS-215-38	Cable-Gland		1
215-39	MBS708CS-215-39	Limit Cable		1
215-40	MBS708CS-215-40	Relay	24V	1
215-41	MBS708CS-215-41	Fuse Seat		1
215-42	MBS708CS-215-42	Fuse	2A	1
215-43	MBS708CS-215-43	Fix Block		1
215-44	MBS708CS-215-44	Transformer		1
215-45	MBS910CS-215-45	Overload Protector	2.6A-3.7A	1
215-46	MBS708CS-215-46	Screw		2

# MBS910CS 50000341T

# 400/50/1

	colour of strands	Litzenfarben	couleur des cordons
BK	black	schwarz	noir
WH	white	weiß	blanc
BU	blue	blau	bleu
RD	red	rot	rouge
BN	brown	braun	brun
GNYE	green-yellow	grün-gelb	vert-jaune
GN	green	grün	vert

	meaning of symbol	Bedeutung der Zeichen	interprétation								
KM	Magnetic contactor	Hauptschütz	contacteur								
FU	fuse	Sicherung	fusible								
L	lamp	Anzeigenlampe	lampe d'indication								
SE	emergency stop switch	Not-Aus Schalter	arrêt d'urgence								
SB1	start button	Ein-Schalter	bouton marche								
SC1	choice speed switch	Aus-Schalter	bouton arrêt								
SC2	pump switch	Kühlmittel-Schalter	bouton pompe								
SQ1	downer limit switch	Positionsendschalter	micro								
M	main motor	Hauptmotor	moteur principal								
P	pump	Kühlmittelmotor	moteur pompe	SQA	saw lid limit switch	Positionsendschalter	micro	SQB	tension limit switch	Positionsendschalter	micro
SQA	saw lid limit switch	Positionsendschalter	micro								
SQB	tension limit switch	Positionsendschalter	micro								

