

J E T

MBS-910VS Metal Working Bandsaw

**50000340M
230/50/1**

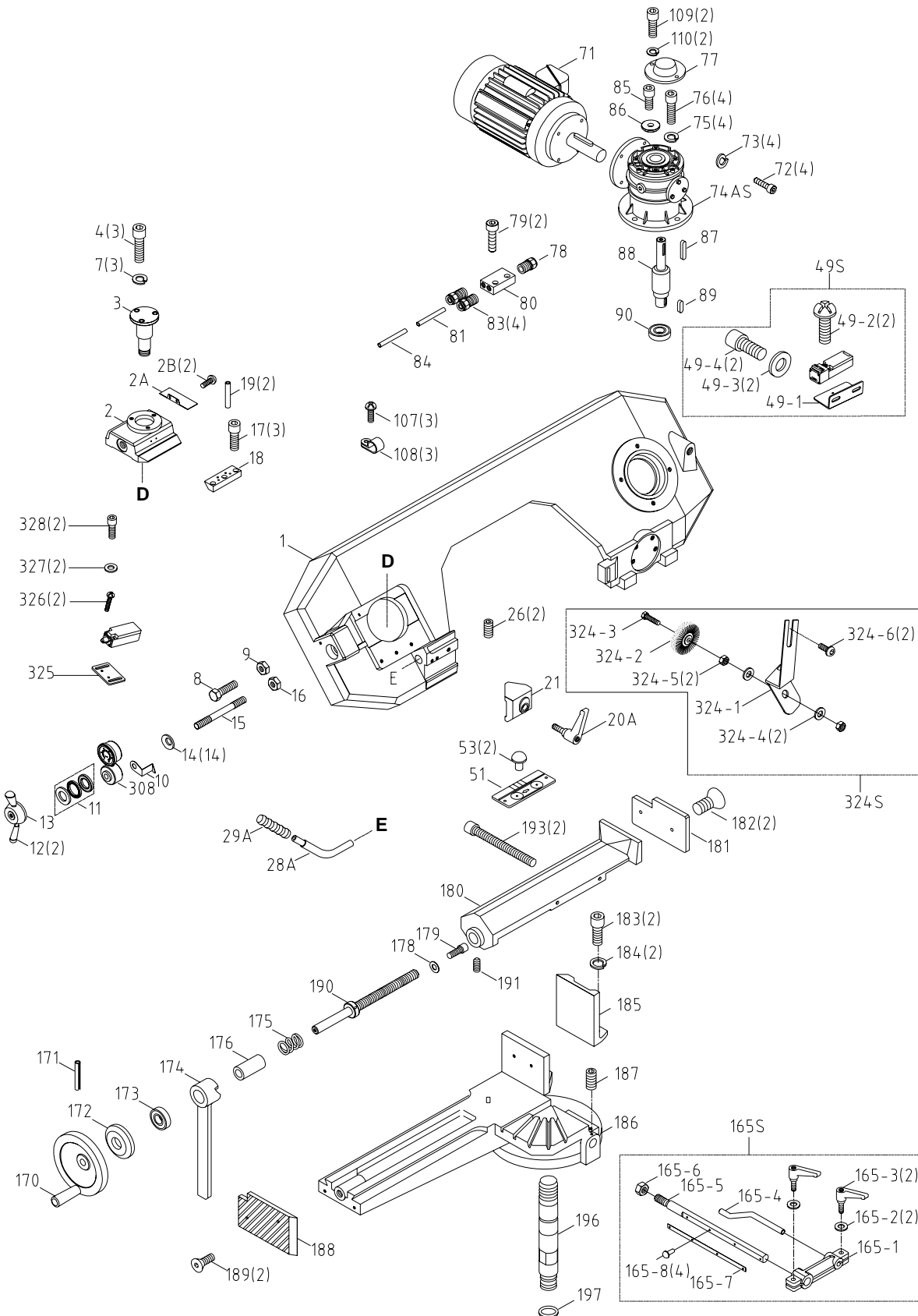
**PARTS LIST
ERSATZTEILLISTE
LISTE DE PIÈCES**

WMH Tool Group AG
Bahnstrasse 24, CH – 8603 Schwerzenbach
www.wmhtoolgroup.ch; info@wmhtoolgroup.ch
Tel +41 (0) 44 806 47 48
Fax +41 (0) 44 806 47 58

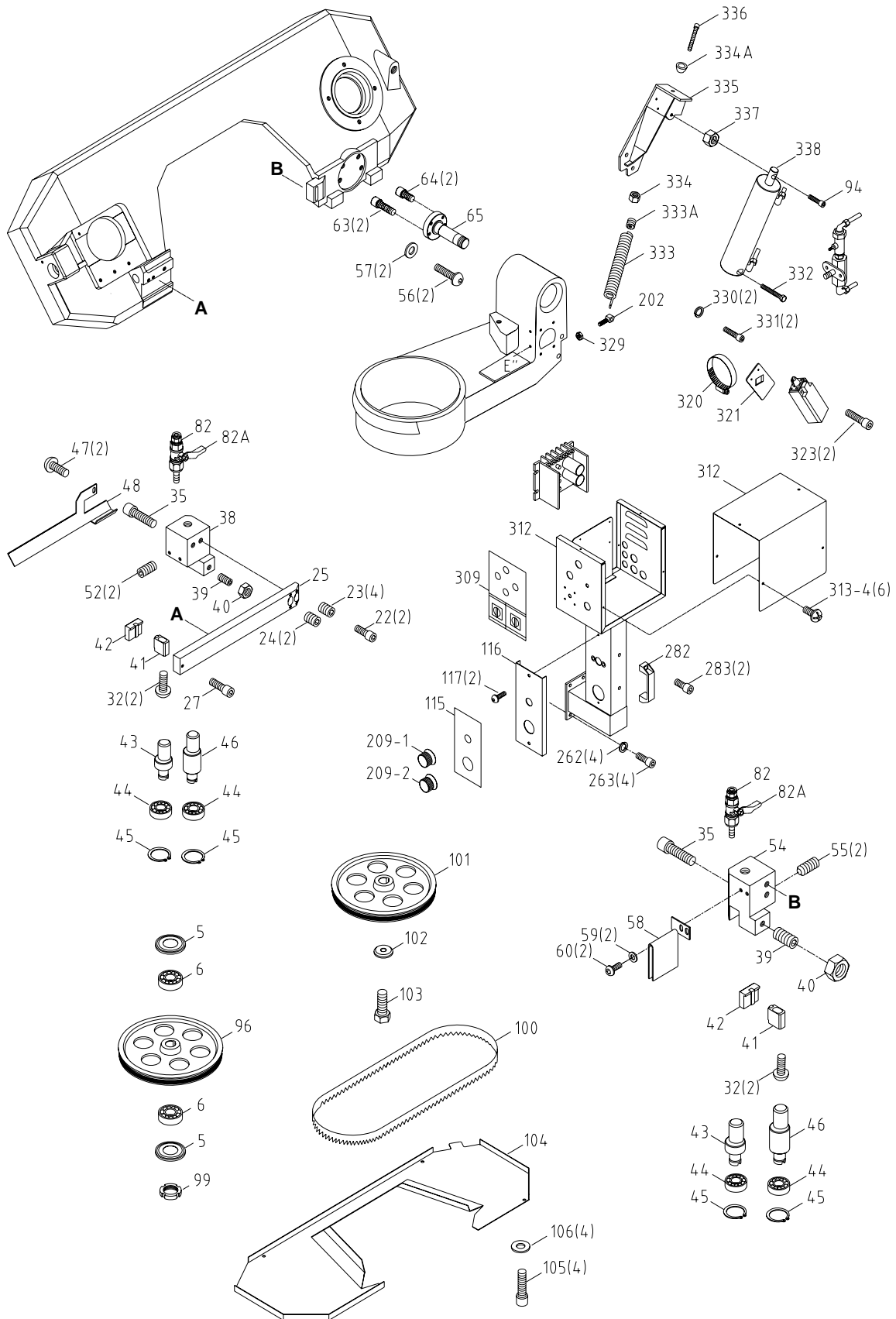


P-50000340M 06/07

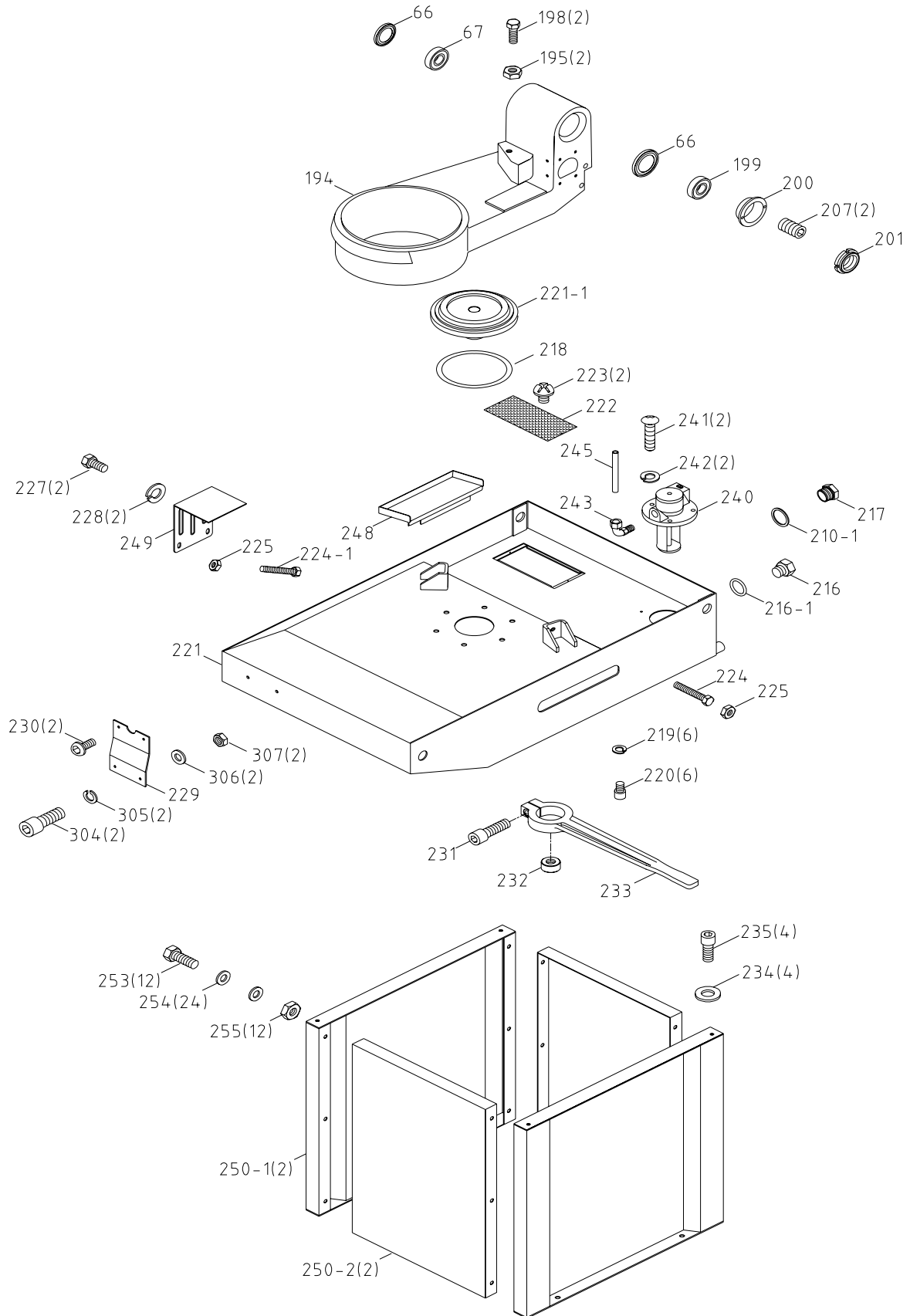
Breakdown for the MBS-910VS Transmission Assembly



Breakdown for the MBS-910VS Transmission Assembly



Breakdown for the MBS-910VS Transmission Assembly



**Parts List for the MBS-910VS
Transmission & Head Assembly**

Index No.	Part No.	Description	Size	Qty.
1	MBS910VS-01	Body Frame		1
2	MBS910VS-02	Anchor Block		1
2A	MBS910VS-02A	Anchor Plate		1
2B	MBS708CS-02B	Round Head Screw	M5X10L	2
3	MBS910VS-03	Shaft		1
4	TS-1504061	Socket Head Cap Screw	M8X30L	3
5	MBS910VS-05	Anti-Chip Cover		2
6	MBS910VS-06	Tapered Bearing		2
7	TS-2361081	Locking Washer	M8	3
8	TS-1490081	Hex. Head Screw	M8X45L	1
9	TS-1540061	Hex. Nut	M8	1
10	MBS708CS-10	Indication Plate		1
11	MBS708CS-11	Bearing		1
12	MBS708CS-12	Knob		2
13	MBS708CS-13	Blade Tension Handle		1
14	MBS708CS-14	Spring Washer	øID16.3Xø31.5X1.8t	14
15	MBS910CS-15A	Lead screw		1
16	TS-1540100	Hex. Nut	M16	1
17	TS-1540451	Hex. Socket Head Screw	M8X25	3
18	MBS708CS-18	Fixed Block		1
19	MBS708CS-19	Pin	ø 5X40	2
20A	MBS910CS-20A	Locking Lever	M10x52	1
21	MBS910CS-21	Fixed Block		1
22	TS-1504041	Socket Head Cap Screw	M8X20	2
23	TS-1523051	Hex. Socket Headless Screw	M6X15	4
24	TS-1523061	Socket Set Screw	M6X20	2
25	MBS910CS-25	Blade adjust stick		1
26	TS-1524021	Socket Set Screw	M8X10	2
27	TS-1523031	Socket Head Cap Screw	M6X10	1
28A	MBS9108CS-28A	Connecting Tube		1
29A	MBS910CS-29A	Handle Cap		1
32	TS-2286302	Pan Head Screw	M6X30	4
35	TS-1503011	Socket Head Cap Screw	M6X8	2
38	MBS910CS-38	Blade Adjust		1
39	TS-1524051	Socket Set Screw	M8X20	2
40	TS-2311081	Hex. Nut	M8	2
41	MBS910CS-41	Guide		2
42	MBS910CS-42	Guide		2
43	MBS910CS-43	Eccentric Guide		2
44	BB-608ZZ	Ball Bearing	608ZZ	4
45	MBS708CS-45	C-Retainer Ring	ø 8	4
46	MBS910CS-46	Eccentric Guide		2
47	TS-1534052	Pan Head Screw	M6X16	2
48	MBS910CS-48	Blade Cover		1
49S	MBS708CS-49S	Power Cutting Bracket		1
49-1	MBS708CS-49-1	Power Cutting Bracket		1
49-2	MBS708CS-49-2	Cross Round Head Screw	M3x30L	2
49-3	TS-1550041	Washer	M6	2
49-4	TS-1503031	Socket Head Cap Screw	M6X12	2
51	MBS910CS-51	Scale		1
52	TS-1523011	Socket Set Screw	M6X6	2

**Parts List for the MBS-910VS
Transmission & Head Assembly**

Index No.	Part No.	Description	Size	Qty.
53	MBS910CS-53	Rivet	ø 2X6	2
54	MBS910CS-54	Blade Adjustable		1
55	TS-1523011	Socket Set Screw	M6X6	2
56	TS-1504071	Socket Head Cap Screw	M8X35	2
57	TS-1550051	Washer	M8	2
58	MBS910CS-58	Blade Cover		1
59	TS-1550051	Washer	M5	2
60	TS-1533032	Pan Head Screw	M5X10	2
63	TS-1505051	Socket Head Cap Screw	M10X40	2
64	TS-1505031	Socket Head Cap Screw	M10X25	2
65	MBS910CS-65	Frame Pivot Shaft		1
66	MBS910CS-66	Anti-Chip Cover		2
67	BB-32006	Tapered Roller Bearing	32006	1
71	MBS910VS-71AE	Motor	1.5HP/230V/3PH	1
72	TS-1503061	Socket Head Cap Screw	M6x25	4
73	TS-2361061	Lock Washer	M6	4
74AS	MBS910VS-74AS	Gear Box		1
75	TS-2361101	Lock Washer	M10	4
76	TS-1505021	Socket Head Cap Screw	M10x20	4
77	MBS910CS-77	Reducer Cover		1
78	MBS910CS-78	Hose Fitting	ø 8X1/4"PT	1
79	TS-1503041	Socket Head Cap Screw	M6X16	2
80	MBS708CS-80	3 Way Valve		1
81	MBS910CS-81	PU Tube	ø 6x240L	1
82	MBS708CS-82	Valve	1/8"	2
82A	MBS708CS-82A	Handle		2
83	MBS708CS-83	Hose Fitting	ø 6X1/8"PT	4
84	MBS910CS-84	PU Tube	ø 6x800L	1
85	TS-1505041	Socket Head Cap Screw	M10X30L	1
86	MBS708CS-86	Prive Shaft Washer		1
87	MBS910CS-87	Round Head Key	8X7X50	1
88	MBS910CS-88	Output Shaft		1
89	MBS910CS-89	Round Head Key	8X7X25	1
90	BB-6208VV	Ball Bearing	6208VV	1
94	TS-1505051	Socket Head Cap Screw	M10X40L	1
96	MBS910CS-96	Idler Wheel		1
99	MBS910CS-99	Nut		1
100	MBS910CS-100	Blade	0.9X27X2450X5/8T	1
101	MBS910CS-101	Drive Wheel		1
102	MBS910CS-102	Drive Shaft Washer		1
103	TS-1492021	Hex. Cap Screw	M12X30	1
104	MBS910CS-104	Blade Back Cover		1
105	TS-1503041	Hex. Socket Head Screw	M6X16	4
106	TS-1550041	Washer	M6	4
107	MBS910CS-107	Cross Round Head Screw	M5X20L	3
108	MBS708CS-108	Hose Clip	ø 8	3
109	TS-1504031	Socket Head Cap Screw	M8x15L	2
110	TS-2361081	Lock Washer	M8	2
115	MBS910VS-115	Label		1
116	MBS910VS-116	Cover		1
117	TS-1533052	Pan Head Screw	M5x16	2
165S	MBS910CS-165S	Distance Set Rod Assembly		1

**Parts List for the MBS-910VS
Transmission & Head Assembly**

Index No.	Part No.	Description	Size	Qty.
165-1	MBS910CS-165-1	Distance Set Bracket		1
165-2	TS-1550051	Washer	M8	2
165-3	MBS708CS-165-3	Knob		2
165-4	MBS708CS-165-4	Stock Stop Rod		1
165-5	MBS708CS-165-5	Distance Set Rod		1
165-6	TS-1540090	Hex. Nut	M14	1
165-7	MBS708CS-165-7	Scale		1
165-8	MBS708CS-165-8	Rivet	ø 2	4
170	MBS708CS-170	Wheel		1
171	MBS708CS-171	Pin	ø 5X35	1
172	MBS708CS-172	Bearing Cover		1
173	MBS708CS-173	Thrust Bearing	3047	1
174	MBS708CS-174	Vise Handle		1
175	MBS910CS-175	Spring		1
176	MBS910CS-176	Bushing		1
178	MBS708CS-178	Washer	ID ø 6.5 OD ø 18	1
179	TS-1503041	Socket Head Cap Screw	M6x16	1
180	MBS910CS-180	Vise Jaw Bracket		1
181	MBS910CS-181	Vise		1
182	TS-1514011	Socket Flat Head Screw	M6X12	2
183	TS-1505041	Socket Head Cap Screw	M10X30	2
184	TS-2361101	Lock Washer	M10	2
185	MBS910CS-185	Vise		1
186	MBS910CS-186	Vise Jaw Bracket		1
187	TS-1524021	Socket Set Screw	M8X10	1
188	MBS910CS-188	Vise		1
189	TS-1503041	Socket Head Cap Screw	M6X16	2
190	MBS910CS-190	Lead screw A		1
191	TS-1524051	Socket Set Screw	M8X20L	1
193	MBS-910CS-193	Socket Head Cap Screw	M6X110	2
194	MBS910CS-194	Swivel Arm		1
195	TS-1540071	Hex. Nut	M10	2
196	MBS910VS-196	Vise Jaw Adjustable Rod		1
197	MBS708CS-197	O-Retainer Ring	ø 19.8X ø 2.4	1
198	TS-2210451	Hex. Cap Screw	M10X45L	2
199	BB-32007	Tapered Roller Bearing	32007	1
200	MBS910CS-200	Bushing		1
201	MBS910CS-201	Nut		1
202	MBS910CS-202	Bolt		1
207	TS-1522051	Socket Set Screw	M5X16	2
209-1	MBS708VS-209-1	Value		1
209-2	MBS708VS-209-2	Throttle Valve		1
210-1	MBS910VS-210-1	O-Retainer Ring	P16	1
216	MBS708CS-216	Hex Socket Plug	3/8"PT	1
216-1	MBS708CS-216-1	O-Retainer Ring	P14	1
217	MBS910VS-217	Oil mirror		1
218	MBS910CS-218	O-Retainer Ring	ID195X5.7W	1
219	TS-2361101	Spring Washer	M10	6
220	TS-1505021	Socket Head Cap Screw	M10X20	6
221	MBS910CS-221	Stand		1
221-1	MBS910CS-221-1	Swivel Arm Base		1

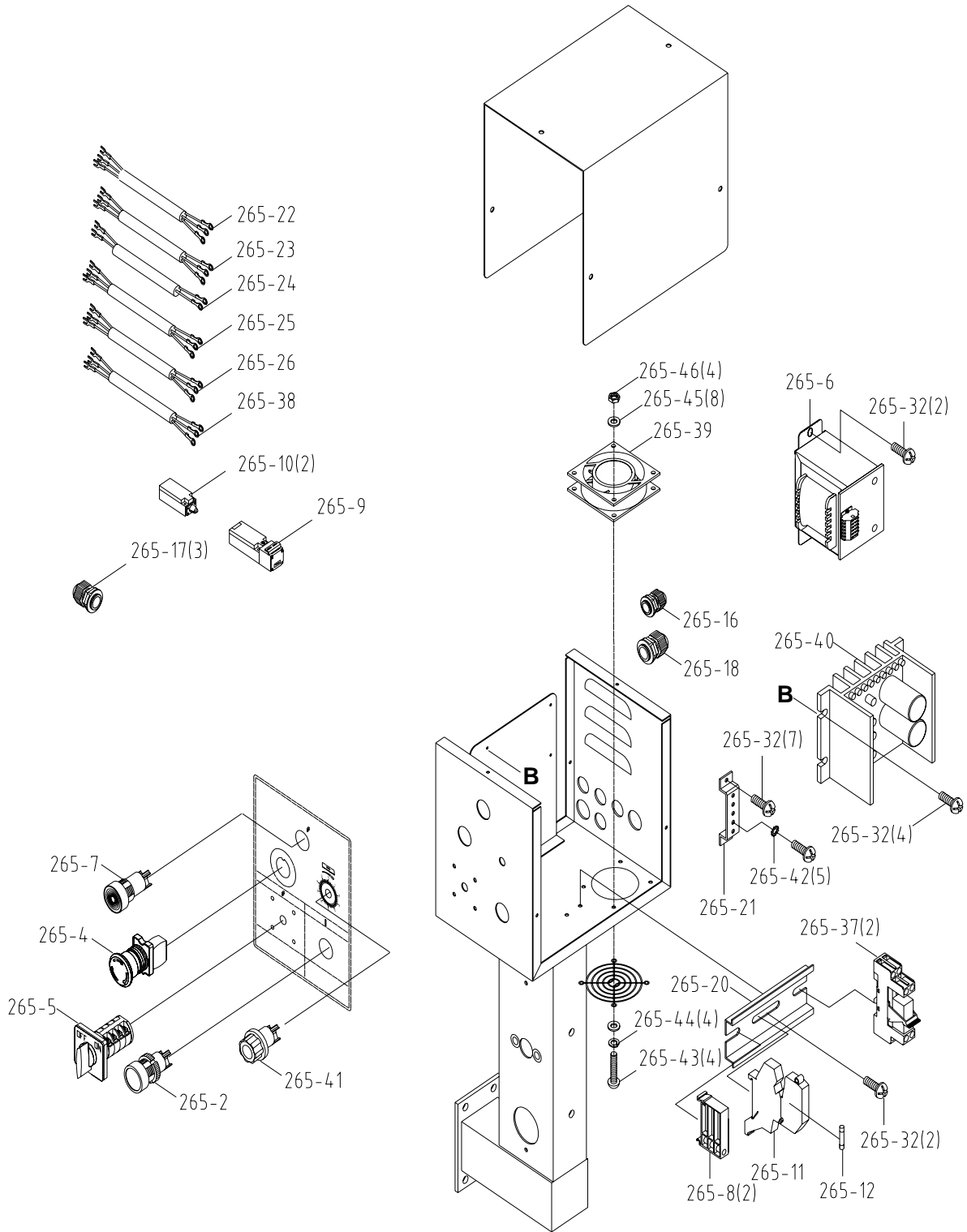
**Parts List for the MBS-910VS
Transmission & Head Assembly**

Index No.	Part No.	Description	Size	Qty.
222	MBS708CS-222	Filter		1
223	MBS708CS-223	Cross Round Head Screw	M4X8	2
224	TS-1491081	Hex. Cap Screw	M10X50	1
224-1	TS-1491101	Hex. Cap Screw	M10X100	1
225	TS-1540081	Hex. Nut	M12	2
227	TS-1491031	Hex. Cap Screw	M10X25	2
228	TS-2361101	Lock Washer	M10	2
229	MBS910CS-229	Fixed Plate		1
230	MBS708CS-230	Round Head Screw	M6X10	2
231	TS-1505051	Socket Head Cap Screw	M10X35	1
232	MBS708CS-232	Nut		1
233	MBS910CS-233	Adjustable Handle		1
234	TS-1550051	Flat Washer	M8	4
235	TS-1504051	Socket Head Cap Screw	M8x25L	4
240	MBS708VS-240E	Pump	1/8HP/230V/50HZ	1
241	MBS708CS-241	Cross Round Head Screw	M6X15L	2
242	TS-2361061	Lock Washer	M6	2
243	MBS708CS-243	Micro Control Block	3/8"x3/8"	1
245	MBS708CS-245	PU Tube	ø8x1300L	1
248	MBS708CS-248	Fluid Collected Plate		1
249	MBS910VS-249	Feed Support		1
250	MBS910CS-250	Stand Leg Set		1
250-1	MBS910CS-250-1	Stand Leg		2
250-2	MBS910CS-250-2	Stand Leg		2
253	TS-1490031	Hex. Head Screw	M8x20L	12
254	TS-1550051	Flat Washer	M8	24
255	TS-2311081	Hex. Nut	M8	12
262	TS-2361061	Lock Washer	M6	4
263	TS-1503041	Socket Head Cap Screw	M6x16	4
282	MBS708CS-282	Knob		1
283	TS-1504031	Socket Head Cap Screw	M8X16	2
304	TS-1503041	Socket Head Cap Screw	M6x16	2
305	TS-2361061	Lock Washer	M6	2
306	TS-1550041	Flat Washer	M6	2
307	TS-1540041	Hex. Nut	M6	2
308	MBS708CS-308	Blade tension Meter		1
320	MBS910CS-320	Hose Clip		1
309	MBS910VS-309	Label for Name plate		1
312	MBS708CS-312	Control Box Base		1
313	MBS708CS-313	Cross Round Head Screw	M5X5L	6
321	MBS910VS-321	Down Bracket		1
323	TS-1501081	Socket Head Cap Screw	M4X30L	2
324S	MBS910CS-324S	Brush Assembly		1
324-1	MBS910CS-324-1	Brush Support		1
324-2	MBS910CS-324-2	Brush		1
324-3	TS-1482061	Hex. Cap Screw	M6x30	1
324-4	TS-1550041	Flat Washer	M6	2
324-5	TS-1540041	Hex. Nut	M6	2
324-6	TS-1503021	Socket Head Cap Screw	M6x10	2
325	MBS910CS-325	Micro Switch Bracket		1
326	MBS910CS-326	Cross Round Head Screw	M4x28	2
327	TS-1550031	Flat Washer	M5	2

**Parts List for the MBS-910VS
Transmission & Head Assembly**

Index No.	Part No.	Description	Size	Qty.
328	TS-1481041	Hex. Cap Screw	M5X16	2
329	TS-1540071	Hex. Nut	M10	1
330	TS-2361101	Lock Washer	M10	2
331	TS-1505041	Socket Head Cap Screw	M10x30	2
332	MBS910CS-332	Hex. Cap Screw	M10X110	1
333	MBS910CS-333	Spring		1
333A	MBS910CS-333A	Bushing		1
334	TS-1540071	Hex. Nut	M10	1
334A	MBS910CS-334A	Washer		1
335	MBS910CS-335	Spring Bracket		1
336	MBS910CS-336	Socket Head Cap Screw	M10X110L	1
347	TS-1540071	Hex. Nut	M10	1
348	MBS910CS-348	Cylinder Assembly		1

Breakdown for the MBS-910VS Electrical Box Assembly



**Parts List for the MBS-910VS
Electrical Box Assembly**

Index No.	Part No.	Description	Size	Qty.
265S	MBS708CS-265	Control Box Assembly		1
265-2	MBS708CS-265-2	Push-Button Switch		1
265-4	MBS708CS-265-4	Emergency-Stop Switch	HY-57B	1
265-5	MBS708CS-265-5	Power Switch & Luck		1
265-6	MBS708CS-265-6	Transformer		1
265-7	MBS708CS-265-7	Lamp		1
265-8	MBS708CS-265-8	End-Gland		2
265-9	MBS708CS-265-9	Limit-Switch	AZD-S11	1
265-10	MBS708CS-265-10	Limit-Switch	AZD-112	2
265-11	MBS708CS-265-11	Fuse-Base	281-611	1
265-12	MBS708CS-265-12	Fuse	2A	1
265-16	MBS708CS-265-16	Cable-Gland	PG9	4
265-17	MBS708CS-265-17	Cable-Gland	PG11	3
265-18	MBS708CS-265-18	Cable-Gland	PG13.5	2
265-20	MBS708CS-265-20	Din-Rails 9CM		1
265-21	MBS708CS-265-21	Grand Copper Pin		1
265-22	MBS708CS-265-22	Power Cable		1
265-23	MBS708CS-265-23	Motor Cable		1
265-24	MBS708CS-265-24	Limit Cable		1
265-25	MBS708CS-265-25	Pump Cable		1
265-26	MBS708CS-265-26	Limit Cable		1
265-32	MBS708CS-265-32	Screw	M4X6L	15
265-37	MBS708CS-265-37	Relay		2
265-38	MBS708CS-265-38	Limit Cable		1
265-39	MBS708CS-265-39	Fan	9CM	1
265-40	MBS910VS-265-40	Frequency Converter	26D	1
265-41	MBS708CS-265-41	Revolution Knob		1
265-42	MBS708CS-265-42	Star Washer	M4	5
265-43	MBS708CS-265-43	Cross Round Head Screw	M4x40	4
265-44	TS-2361041	Lock Washer	M4	4
265-45	TS-1550021	Flat Washer	M4	8
265-46	TS-1540021	Hex. Nut	M4	4

MBS-910VS 50000340M

230/50/1

	colour of strands	Litzenfarben	couleur des cordons
BK	black	schwarz	noir
WH	white	weiß	blanc
BU	blue	blau	bleu
RD	red	rot	rouge
BN	brown	braun	brun
GNYE	green-yellow	grün-gelb	vert-jaune
GN	green	grün	vert

	meaning of symbol	Bedeutung der Zeichen	interprétation
ACD	AC Motor Speed Control	schütz	contacteur
TC	Transformer	transformator	transformateur
R	Relay	überlastschutzschalter	déclencheur surcharge
SA	Power Switch	türschalter	interrupteur de port
SB1	Emergency stop	Not-Aus Schalter	arrêt d'urgence
SB2	Push-Button Switch	Ein-Schalter	bouton marche
SQ1	Limit switch	Positionsendschalter	micro
SQ2	Limit switch	Positionsendschalter	micro
SQ3	Limit switch	Positionsendschalter	micro
L	Light	Anzeigenlampe	lampe d'indication
FU	Fuse	Sicherung	fusible
F	FAN	Ventilator	ventilateur

