

# J E T

**MCS-225**

**Miter Cold Saw**

**50000200M...230/50/1**

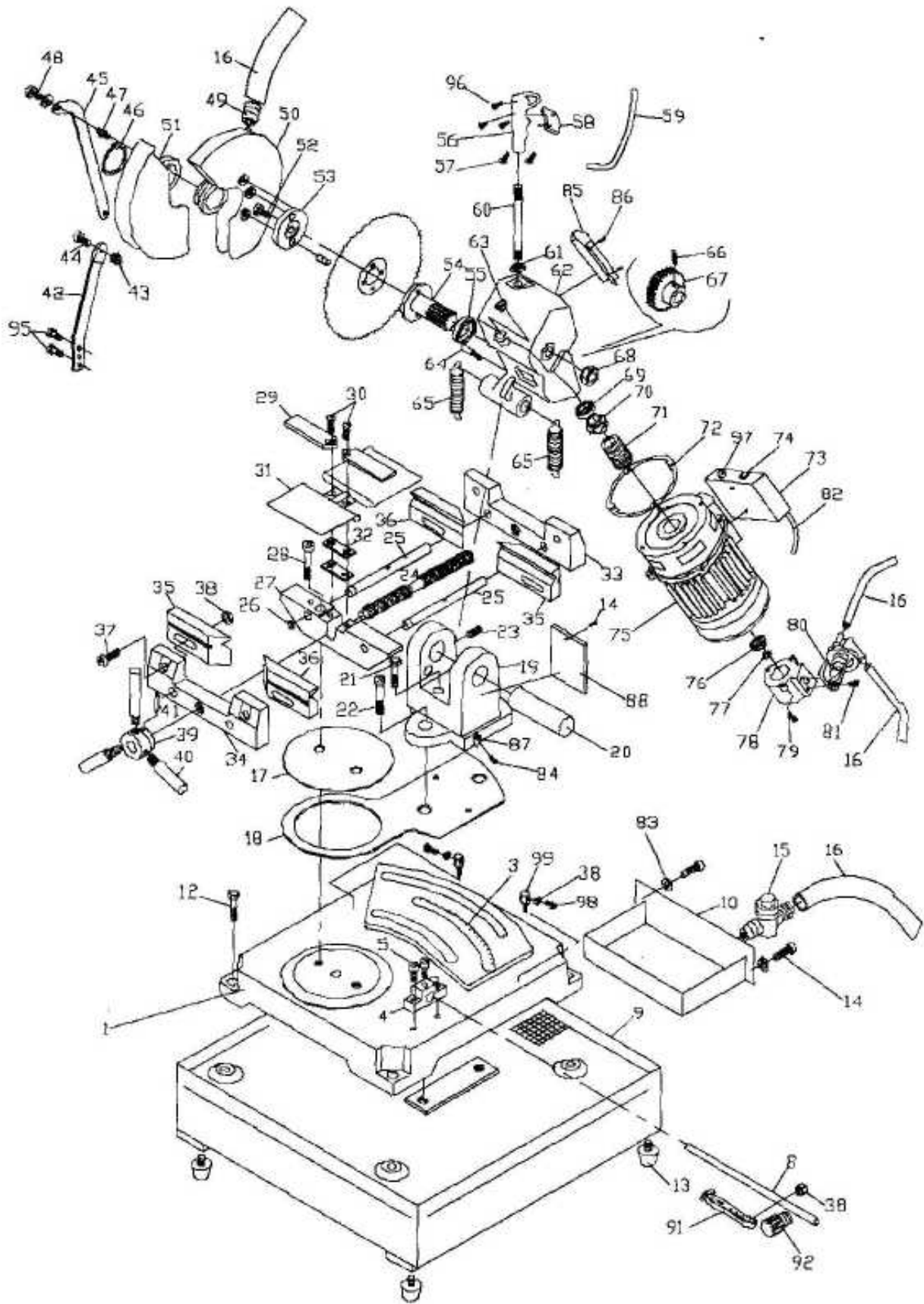
## **Parts List**

**WMH Tool Group AG**

Bahnstrasse 24,  
CH - 8603 Schwerzenbach  
[www.wmhtoolgroup.ch](http://www.wmhtoolgroup.ch)  
[info@wmhtoolgroup.ch](mailto:info@wmhtoolgroup.ch)  
Tel +41 (0)44 806 47 48  
Fax +41 (0) 44 806 47 58  
P-50000200M...02/07



# Parts list for MCS-225 Miter Cold Saw



## Parts List: Miter Cold Saw

Index	Part No	Description	Size	Qty
1	F225-101	Base		1
3	F225-103	Scale		1
4	F225-104	Support Block		1
5	TS-1503031	Socket Head Cap Screw	M6x12	2
8	F225-108	Stop Rod		1
9	F225-109	Cabinet		1
10	F225-110	Coolant Tank		1
12	TS-1490051	Hex Cap Screw	M8x30	4
13	F225-113	Rubber Foot		4
14	TS-1501011	Socket Head Cap Screw	M4x6	2
15	F225-115	Coolant Valve		1
16	F225-116	Coolant Tubing		1
17	F225-117	Disc		1
18	F225-118	Swivel Plate		1
19	F225-119	Pivot Block		1
20	F225-120	Pivot Pin		1
21	TS-1490041	Hex Cap Screw	M8x25	2
22	TS-1504111	Socket Head Cap Screw	M8x55	2
23	TS-1524041	Socket Set Screw	M8x16	2
24	F225-124	Lead Screw		1
25	F225-125	Guide Rod		2
26	F225-126	Retaining Ring	S13	2
27	F225-127	Middle Support		1
28	TS-1504071	Socket Head Cap Screw	M8x35	2
29	F225-129	Plate		4
30	TS-1515021	Flat Head Screw	M8x20	2
31	F225-131	Cover		1
32	F225-132	Support Plate		2
33	F225-133	Rear Vise Jaw		1
34	F225-134	Front Vise Jaw		1
35	F225-135	Jaw Insert		2
36	F225-136	Jaw Insert		2
37	TS-1503051	Socket Head Cap Screw	M6x20	4
38	TS-1540041	Hex Nut	M6	7
39	F225-139	Handle Hub		1
40	F225-140	Handle		3
41	F225-141	Spring Pin		1
42	F225-142	Support Link		1
43	TS-1541031	Lock Nut	M8	1
44	TS-1504041	Socket Head Cap Screw	M8x20	1
45	F225-145	Guard Link		1
46	F225-146	Retaining Ring	S60	1
47	F225-147	Screw		1
48	TS-1504031	Socket Head Cap Screw	M8x16	1
49	F225-149	Connector Fitting		1
50	F225-150	Fixed Blade Guard		1
51	F225-151	Moveable Blade Guard		1
52	F225-152	Socket Head Cap Screw (LH Thread)	M12x25 LH	1
53	F225-153	Blade Shaft Flange		1
54	F225-154	Blade Shaft		1
55	F225-155	Oil Seal		1
56	F225-156	Handle Grip		1
57	TS-2284081	Flat Head Screw	M4x8	4
58	F225-158	Limit Switch		1
59	F225-159	Cable		1

## Parts List: Miter Cold Saw

Index	Part No	Description	Size	Qty
60	F225-160	Handle		1
61	TS-154010	Hex Nut	M16	1
62	F225-162	Head		1
63	F225-163	Oil Plug		1
64	F225-164	Spring Screw		1
65	F225-165	Spring		2
66	TS-1523021	Socket Set Screw	M6x8	1
67	F225-167	Worm Gear		1
68	F225-168	Oil Sight Glass		1
69	BB-6001ZZ	Ball Bearing	6001ZZ	1
70	F225-170	Nut		1
71	F225-171	Worm		1
72	F225-172	Head Gasket		1
73	F225-173E	Switch Box		1
	F225-175EC	Capacitor (not shown)	350WVAC, 25 n F	1
	F225-175EMC	Magnetic Contactor (not shown)	230V, 1Ph	1
	F225-175EOR	Overload Relay (not shown)		1
	F225-175ETR	Transformer (not shown)		1
	F225-175EFU	Fuse (not shown)	15A	2
74	F225-174E	Magnetic Switch 230V	KJD-12	1
75	F225-175E	Motor	1HP, 230V, 1ph	1
76	BB-609ZZ	Bearing	609ZZ	1
77	F225-177	E-Clip	E-10	1
78	F225-178	Pump Connection Box		1
79	TS-1501051	Socket Head Cap Screw	M4x16	3
80	F225-180	Coolant Pump		1
81	TS-1503051	Socket Head Cap Screw	M6x20	2
82	F225-182E	Power Cord		1
83	TS-1550021	Flat Washer	M4	2
84	TS-1532032	Pan Head Screw	M4x10	1
85	F225-185	Cover		1
86	TS-2171012	Pan Head Screw	M4x6	4
87	F225-187	Indicator		1
88	F225-188	Rubber Sheet		1
89	F225-189	Front Cover Plate		1
91	F225-191	Stock Stop		1
92	F225-192	Thumbscrew	M6x20	1
94	TS-2171012	Pan Head Screw	M4x6	2
95	TS-1504031	Socket Head Cap Screw	M8x16	2
96	F225-196	Tapping Screw	M3x12	4
97	F225-197E	Power Light		1
98	TS-1503071	Socket Head Cap Screw	M6x30	2
99	F225-199	Support Seat		2

**MCS-225  
5000200M**

	<b>colour of strands</b>	<b>Litzenfarben</b>	<b>couleur des cordons</b>
BK	black	schwarz	noir
WH	white	Weiß	blanc
BU	blue	blau	bleu
YE	yellow	gelb	jaune
RD	red	rot	rouge
BN	brown	braun	brun
GNYE	green-yellow	grün-gelb	vert-jaune

	<b>meaning of symbol</b>	<b>Bedeutung der Zeichen</b>	<b>interpretation</b>
M	motor	Motor	moteur
KM	contactor for main motor	Hauptschutz	contacteur moteur
S1	switch	Schalter	interrupteur
C	condenser	Kondensator	condensateur
F	fuse	Sicherung	fusible
OL	overload cut-off	Überlastschutzschalter	declencheur surcharge
L	Power lamp		

**230/50/1**

