

# **J E T**

**OES-80CS**

**Oscillating Edge Sander**

**708447M...230/50/1**

**708447T....400/50/3**

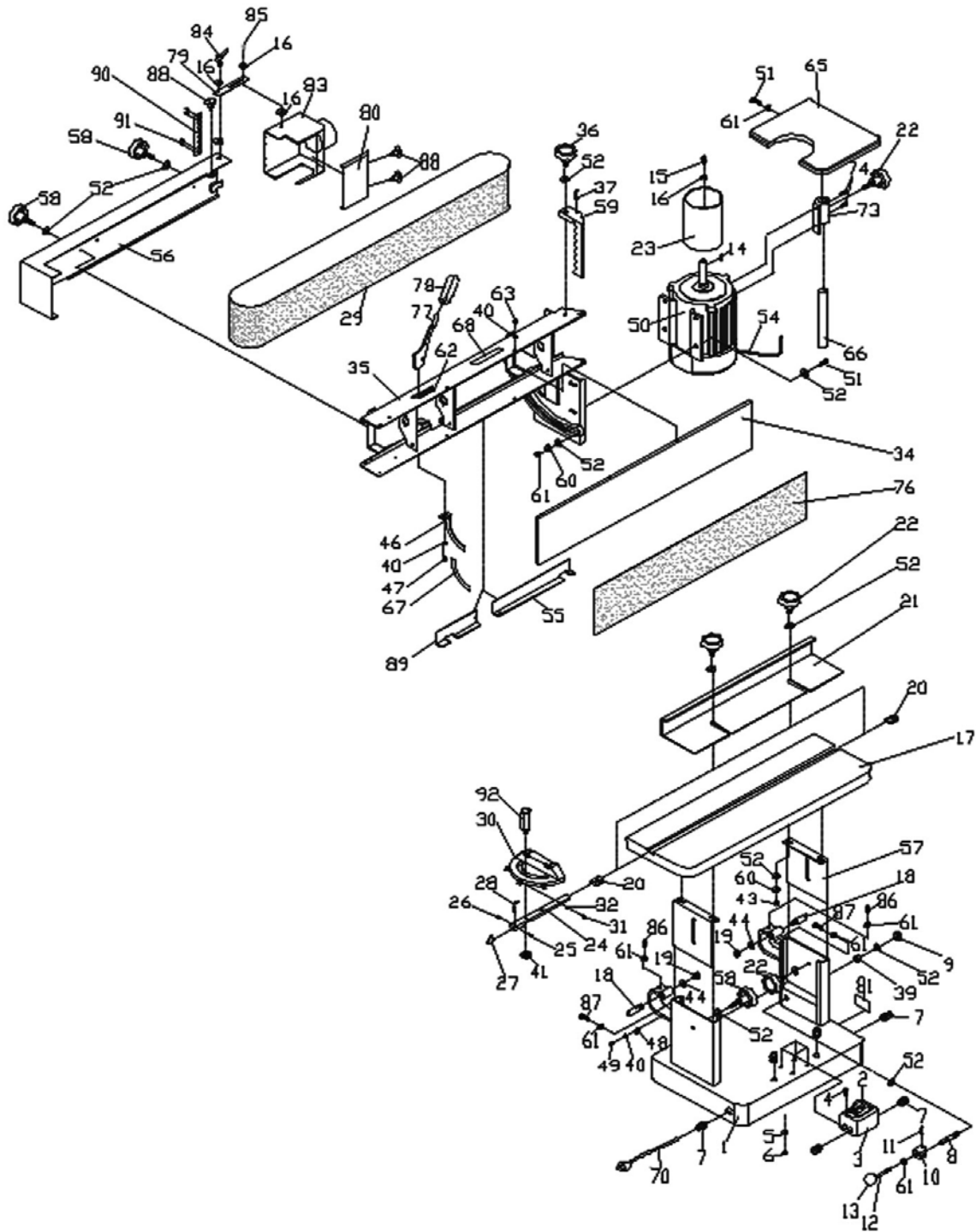
**PARTS LIST  
ERSATZTEILLISTE  
LISTE DE PIECES**

**WMH Tool Group AG**

Bahnstrasse 24, CH – 8603 Schwerzenbach  
www.wmhtoolgroup.ch info@wmhtoolgroup.ch  
Tel +41 (0)44 806 47 48  
Fax +41 (0) 44 806 47 58



# Parts List For OES-80CS Oscillating Edge Sander Table and Motor Assembly

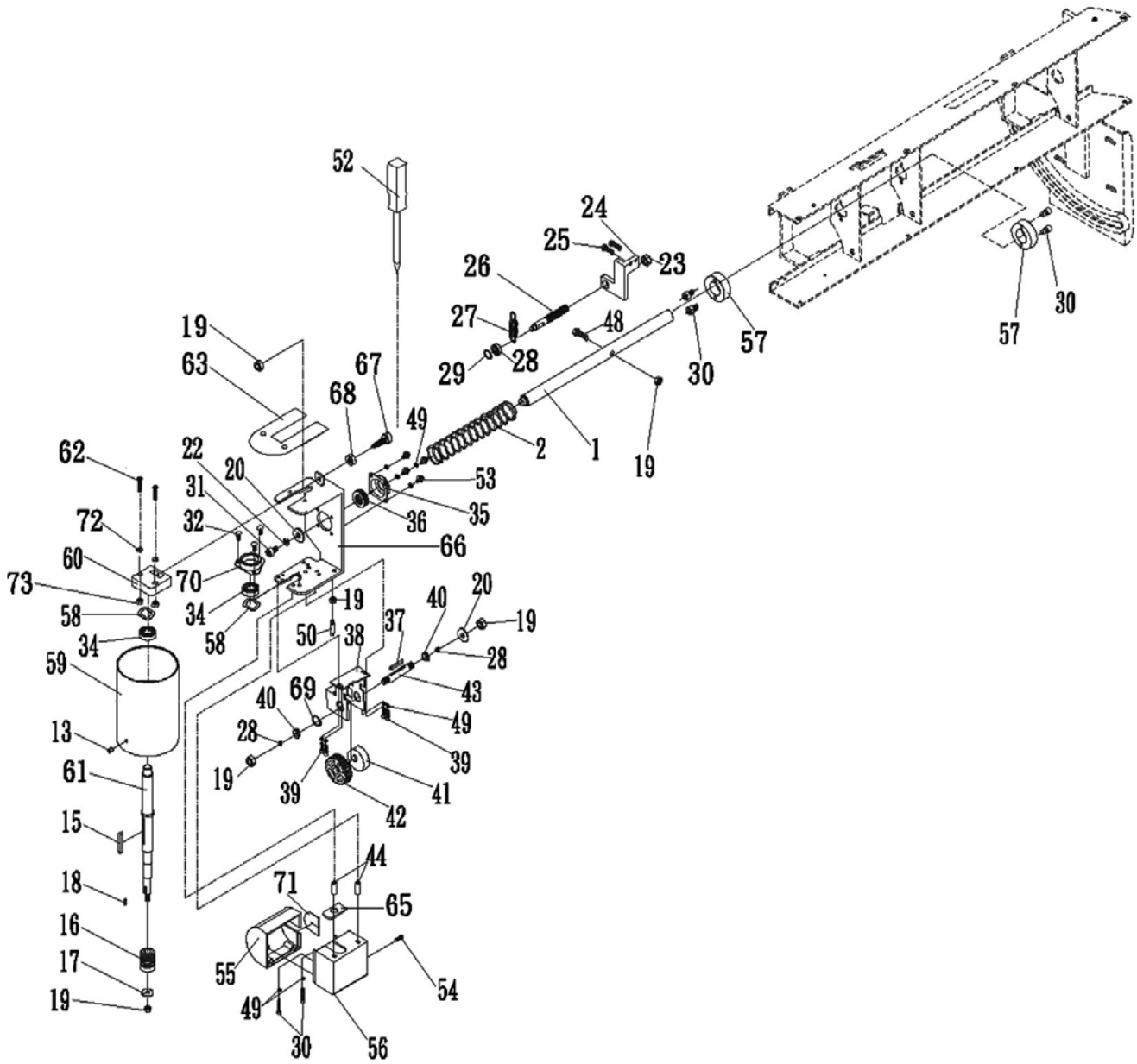


**Parts List For OES-80CS Oscillating Edge Sander  
Table and Motor Assembly**

Index No.	Part No.	Description	Size	Qty.
1	EHVS80CS-101	Base		1
2	994532E	Switch Contactor 230/50/1	KJD-12	1
	EHVS80-AE	Switch Contactor 400/50/3	KJD-18	1
3	EHVS80-02BE	Switch Box Assembly	230/50/1	1
	EHVS80-02BAE	Switch Box Assembly	400/50/3	1
4	TS-081C082	Pan Head Screw	#10-24x1-1/2"	4
5	TS-2361051	Lock Washer	M5	4
6	TS-0560071	Hex Nut	#10-24	4
7	EHVS80-128E	Strain Relief	PG-11	7
8	EHVS80-08	Work Table Bar		1
9	TS-0640091	Nylon Insert Lock Nut	3/8"-16	1
10	EHVS80-10	Locking Block		1
11	EHVS80-11	Spring Pin	Ø4	1
12	EHVS80-12	Lock Handle		1
13	10102023A	Knob		1
	EHVS80-12A	Lock Handle Assembly (#12, #13)		1
14	S0430525	Key	5x5x25	1
15	TS-0050031	Hex Cap Screw	1/4"-20x3/4"	1
16	TS-0680021	Flat Washer	1/4"	5
17	EHVS80-17	Table		1
18	EHVS80-18	Screw	M10	2
19	TS-1540071	Hex Nut	M10	2
20	EHVS80-20	Guide Block		2
21	EHVS80-21	Fence		1
22	EHVS80-22A	JET Knob	M8x12mm	3
23	OES80CS-23	Drive Drum		1
24	EHVS80-24	Guide Bar		1
25	S0310306	Pin	Ø3	1
26	TS-0267021	Set Screw	1/4"-20x1/4"	1
27	EHVS80-27	Location Plate		1
28	EHVS80-28	Pointer		1
29		Sanding Belt	6"W x 89"L	1
30	10104046	Miter Gauge Body		1
31	TS-081B042	Pan Head Screw	#8-32x5/8"	3
32	TS-0560061	Hex Nut	#8-32	3
33	EHVS80-34G	Graphite		1
34	20101048	Platen		1
35	OES80CS-135E	Side Plate		1
36	EHVS80-36A	JET Knob	M8x35mm	1
37	EHVS80-37A	Pin	Ø6x40mm	1
39	EHVS80-39A	Spacer		1
40	TS-0733031	External Tooth Lock Washer	#10	11
41	EHVS80-28A	Location Block		1
43	TS-0051021	Hex Cap Screw	5/16"-18x5/8"	4
44	TS-0720091	Lock Washer	3/8"	2
46	EHVS80-57	Tilt Scale		1
47	TS-081C052	Pan Head Screw	#10-24x3/4"	1

Index No.	Part No.	Description	Size	Qty.
48	EHVS80-59	Pointer		1
49	TS-081C022	Pan Head Screw	#10-24x3/8"	2
50	OES80CS-150E	Motor	230V, 1Ph	1
	OES80CS-150AE	Motor	400V, 3Ph	1
	OES80CS-150SCE	Starting Capacitor, (not shown)	250VAC, 400MFD	1
	OES80CS-150OPE	Thermal Overload Cut Off, (not shown)		1
51	TS-0051061	Hex Cap Screw	5/16"-18x1-1/4"	5
52	TS-0680031	Flat Washer	5/16"	10
54	EHVS80-67E	Motor Cord	230V, 1Ph	1
	EHVS80-67AE	Motor Cord	400V, 3Ph	1
55	OES80CS-155E	Dust Plate (Long)		1
56	OES80CS-156E	Sanding Belt Cover		1
57	EHVS80-70A	Up-Down Table Mount Plate		2
58	EHVS80-71A	JET Knob	M8X20mm	4
59	EHVS80-72	Back Stop Bracket		1
60	TS-0720081	Lock Washer	5/16"	14
61	TS-0561021	Hex Nut	5/16"-18	6
62	OES80CS-162E	Direction for Tension Label		1
63	TS-2285121	Flat Head Screw	M5x12	8
65	EHVS80-94	Extension Table		1
66	EHVS80-96	Supporting Rod		1
67	EHVS80-57AE	Tilt Angle Scale Label		1
68	EHVS80-108E	Direction Label		1
70	EHVS80-68E	Power Cord	230V, 1Ph	1
	EHVS80-68AE	Power Cord	400V, 3Ph	1
73	OES80CS-173	Supporting Seat		1
74	TS-0206041	Socket Head Cap Screw	#10-24x3/4"	2
76	EHVS80-34G	Graphite Pad		1
77	EHVS80-51	Belt Tension Arm		1
78	EHVS80-54	Tension Arm Handle		1
79	OES80-179	Connection Plate		1
80	EHVS80-111E	Drum Guard		1
81	OES80CS-181E	I.D Label		1
83	OES80CS-183E	Belt End Cover		1
84	OES80CS-184E	Adjust Lever	M6x20	1
85	TS-1482041	Hex Cap Bolt	M6x20	1
86	TS-0270091	Socket Set Screw	5/16"x1"	2
87	TS-0081051	Hex Cap Bolt	5/16"x1"	2
88	EHVE80-126	Knob		3
89	OES80CS-189E	Dust Plate (Small)		1
90	OES80CS-190	Hinge		1
91	TS-2284081	Flat Head Screw	M4X8	8
92	EHVS-33	Knob		1

## Parts List For OES-80CS Oscillating Edge Sander Idle Drum Assembly



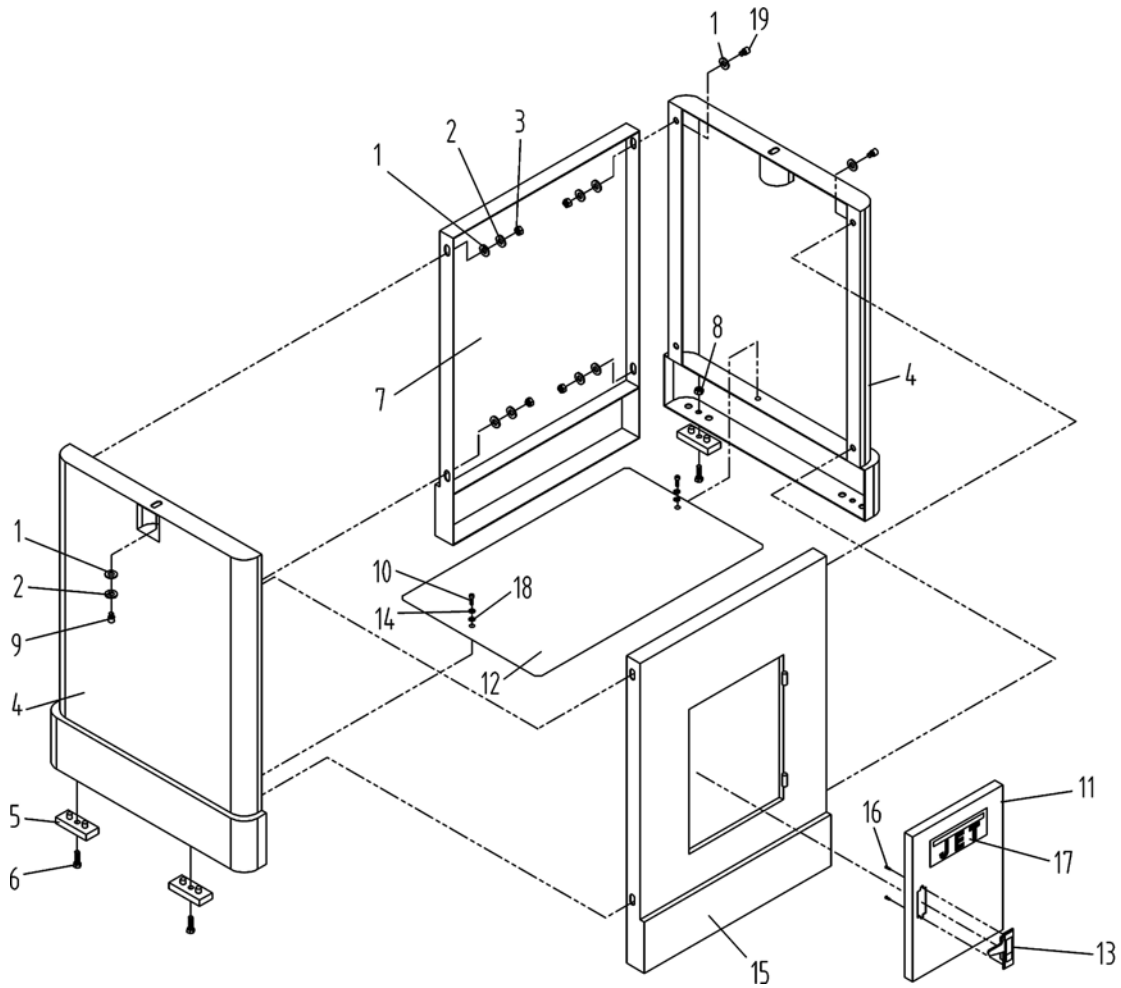
## Parts List For OES-80CS Oscillating Edge Sander Idle Drum Assembly

Index No.	Part No.	Description	Size	Qty.
1	OES80CS-201	Tension Bar		1
2	OES80CS-203	Spring		1
13	TS-1523011	Socket Set Screw	M6x6	2
15	S0400545	Key	5x5x45	1
16	OES80CS-216	Worm		1

Index No.	Part No.	Description	Size	Qty.
17	OES80CS-217	Spacer		1
18	S0400425	Key	4x4x25	1
19	TS-0640081	Nylon Lock Nut	5/16"	5
20	TS-0680031	Flat Washer	5/16"	4
22	TS-0720081	Lock Washer	5/16"	6
23	TS-2342141	Nylon Insert Lock Nut	M14	2
24	OES80CS-224	Bracket		1
25	TS-0050031	Hex Cap Screw	1/4"-20x3/4"	2
26	OES80CS-226	Lead Screw		1
27	OES80CS-227	Spring		1
28	OES80CS-228	Ball Bearing	698	3
29	OES80CS-229	Retaining Ring	STW-8	1
30	TS-1502051	Socket Head Cap Screw	M5x20	2
31	TS-0208061	Socket Head Cap Screw	5/16"x1"	1
32	TS-2284121	Flat Head Screw	M4x12	3
34	BB-6202VV	Ball Bearing	6202LLU	2
35	OES80CS-235	Bearing housing		1
36	BB6003ZZ	Ball Bearing	6003ZZ	1
37	S0400430	Key	4x4x30	1
38	OES80CS-238	Gear Housing		1
39	TS-1502021	Socket Head Cap Screw	M5x10	5
40	OES80CS-240	Bushing		2
41	OES80CS-241	Cam		1
42	OES80CS-242	Worm Gear		1
43	OES80CS-243	Worm Gear Shaft		1
44	OES80CS-244	Column		2
48	TS-0051081	Hex Cap Screw	5/16"-18x1-3/4"	1
49	TS-1551031	Lock Washer	M5	6
50	OES80CS-250	Rod		1
52	EHVS80-81	Belt Tracking Tool		1
53	TS-0810012	Pan Head Screw	#10-24x1/4"	4
54	OES80CS-254	Self Tapping Screw	M3x6	1
55	OES80CS-255	Dust Hood (Left)		1
56	OES80CS-256	Dust Hood (Right)		1
57	OES80CS-257	Ring		2
58	OES80CS-258	Wave Washer		2
59	OES80CS-259	Idle Drum		1
60	OES80CS-260	Track Adjusting Block		1
61	OES80CS-261	Drive Shaft		1
62	OES80CS-262	Socket Head Button Screw	5/16"X1-3/4	2
63	OES80CS-263	Protect Guard		1
65	OES80CS-265	Foam Sheet for drive shaft		1
66	OES80CS-266	Idle Drum Bracket		1
67	OES80CS-267	Track Adjusting Screw		1
68	OES80CS-268	Track Adjusting Nut		1
69	OES80CS-269	Ring	S10	1
70	OES80CS-270	Bearing Housing		1
71	OES80CS-271	Foam Sheet for lead screw		1
72	OES80CS-272	PA Washer		2
73	TS-0640081	Nylon Insert Lock Nut	5/16"	2
	OES80CS-IDRA	Idle drum and gear replacement assly. (13-22, 32-50, 54-56, 58-73)		2
	OES80CS-IDCA	Idle drum complete assembly (1-73)		2

## Parts List For OES-80CS Oscillating Edge Sander

### Stand Assembly



## Parts List For OES-80CS Oscillating Edge Sander

### Stand Assembly

Index No.	Part No.	Description	Size	Qty.
1	TS-0680031	Flat Washer	5/16"	22
2	TS-0720081	Lock Washer	5/16"	10
3	TS-0561021	Hex Nut	5/16"-18	8
4	EHVS80CS-S04	Side Panel		2
5	EHVS80CS-S05	Pad		4
6	EHVS80CS-S06	Screw		4
7	EHVS80CS-S07	Rear Panel		1
8	TS-0561021	Hex Nut	5/16"-18	4
9	TS-0051061	Hex Cap Screw	5/16"-18x1-1/4"	2
10	TS-1533032	Pan Head Screw	M5x10	2

**Parts List For OES-80CS Oscillating Edge Sander  
Stand Assembly**

<b>Index No.</b>	<b>Part No</b>	<b>Description</b>	<b>Size</b>	<b>Qty.</b>
11	EHVS80CS-S11	Door		1
12	EHVS80CS-S12	Shelf		1
13	EHVS80CS-S13	Latch Assembly		1
14	TS-1551031	Lock Washer	M5	2
15	EHVS80CS-S15	Front Panel (W/Door)		1
16	EHVS80CS-S16	Screw		2
17	EHVS80CS-S17	JET Label		1
18	TS-1550031	Flat Washer	M5	2
19	TS-0081031	Hex Cap Screw	5/16"-18x3/4"	8



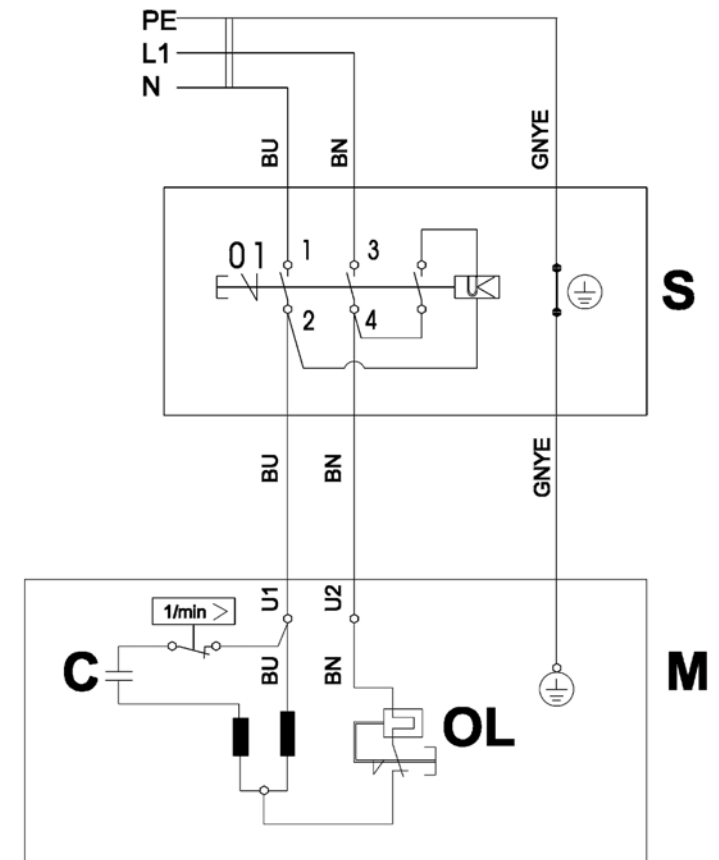
# OES-80CS

708447M

	colour of strands	Litzenfarben	couleur des cordons
BK	black	schwarz	noir
WH	white	weiß	blanc
BU	blue	blau	bleu
YE	yellow	gelb	jaune
RD	red	rot	rouge
BN	brown	braun	brun
GY	grey	grau	gris
GNYE	green-yellow	grün-gelb	vert-jaune
OG	orange	orange	orange
VT	violet	violett	violet

	meaning of symbol	Bedeutung der Zeichen	interprétation
M	motor	Motor	moteur
S	switch	Schalter	interrupteur
C	condenser	Kondensator	condensateur
E	electronic unit	Elektronik Einheit	unité électronique
F	fuse	Sicherung	fusible
RS	reversing switch	Drehrichtungsschalter	commu. droite/gauche
CS	centrifugal switch	Fliehkraftschalter	déclencheur centrifuge
OL	overload cut-off	Überlastschuttschalter	déclencheur surcharge
LS	limit switch	Positionsendschalter	micro

230/50/1



# OES-80CS

## 708447T

	colour of strands	Litzenfarben	couleur des cordons
BK	black	schwarz	noir
WH	white	weiß	blanc
BU	blue	blau	bleu
YE	yellow	gelb	jaune
RD	red	rot	rouge
BN	brown	braun	brun
GY	grey	grau	gris
GNYE	green-yellow	grün-gelb	vert-jaune
OG	orange	orange	orange
VT	violet	violett	violet

	meaning of symbol	Bedeutung der Zeichen	interprétation
M	motor	Motor	moteur
S	switch	Schalter	interrupteur
C	condenser	Kondensator	condensateur
E	electronic unit	Elektronik Einheit	unité électronique
F	fuse	Sicherung	fusible
RS	reversing switch	Drehrichtungsschalter	commu. droite/gauche
CS	centrifugal switch	Fliehkraftschalter	déclencheur centrifuge
OL	overload cut-off	Überlastschuttschalter	déclencheur surcharge
LS	limit switch	Positionsendschalter	micro

# 400/50/3

