

PERFORMAX

PKM-325

Woodworking machine

93000.13100 230/50/1

PARTS LIST

WMH Tool Group AG

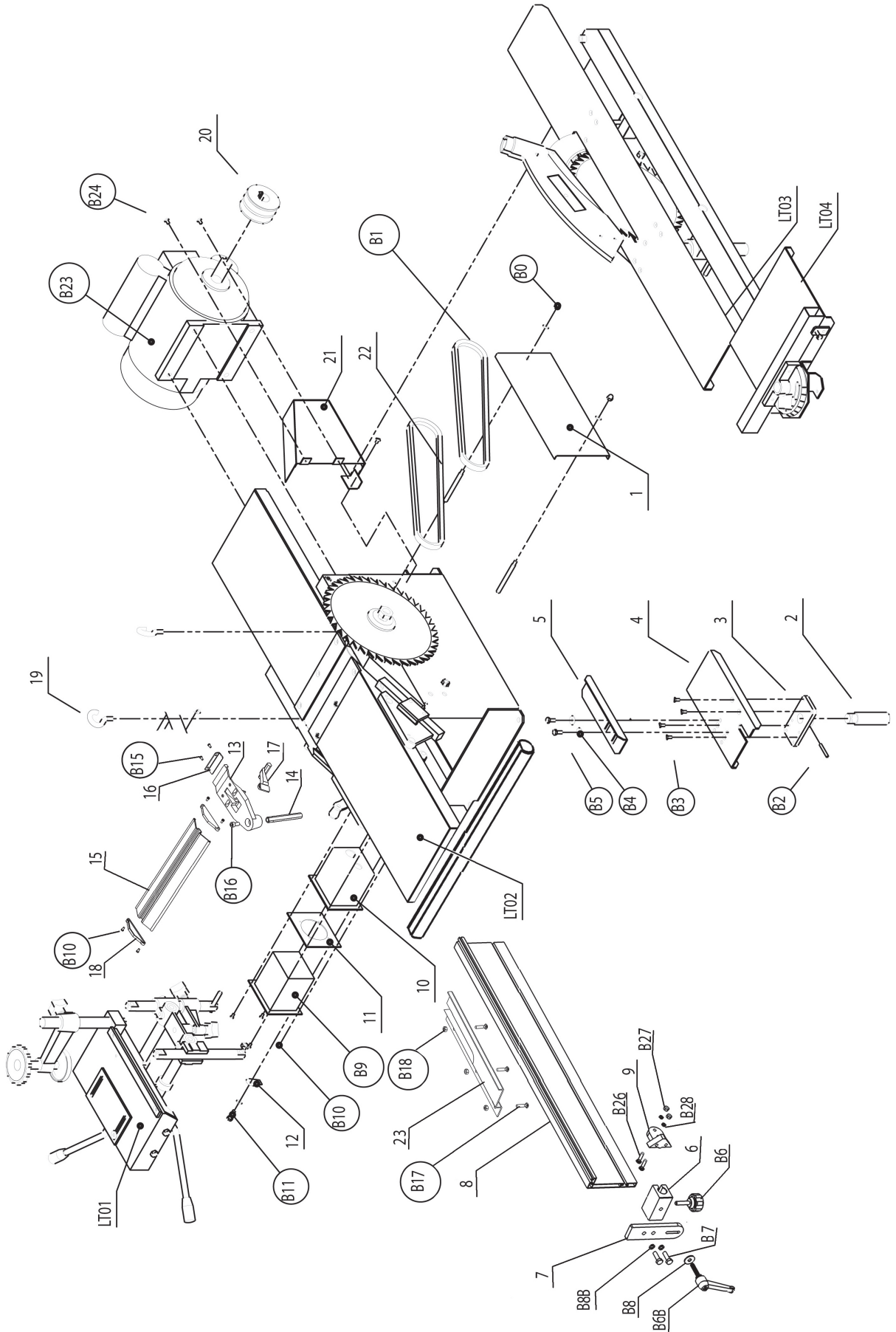
Bahnstrasse 24, CH – 8603 Schwerzenbach

www.wmhtoolgroup.ch; info@wmhtoolgroup.ch

Tel +41 (0) 44 806 47 48

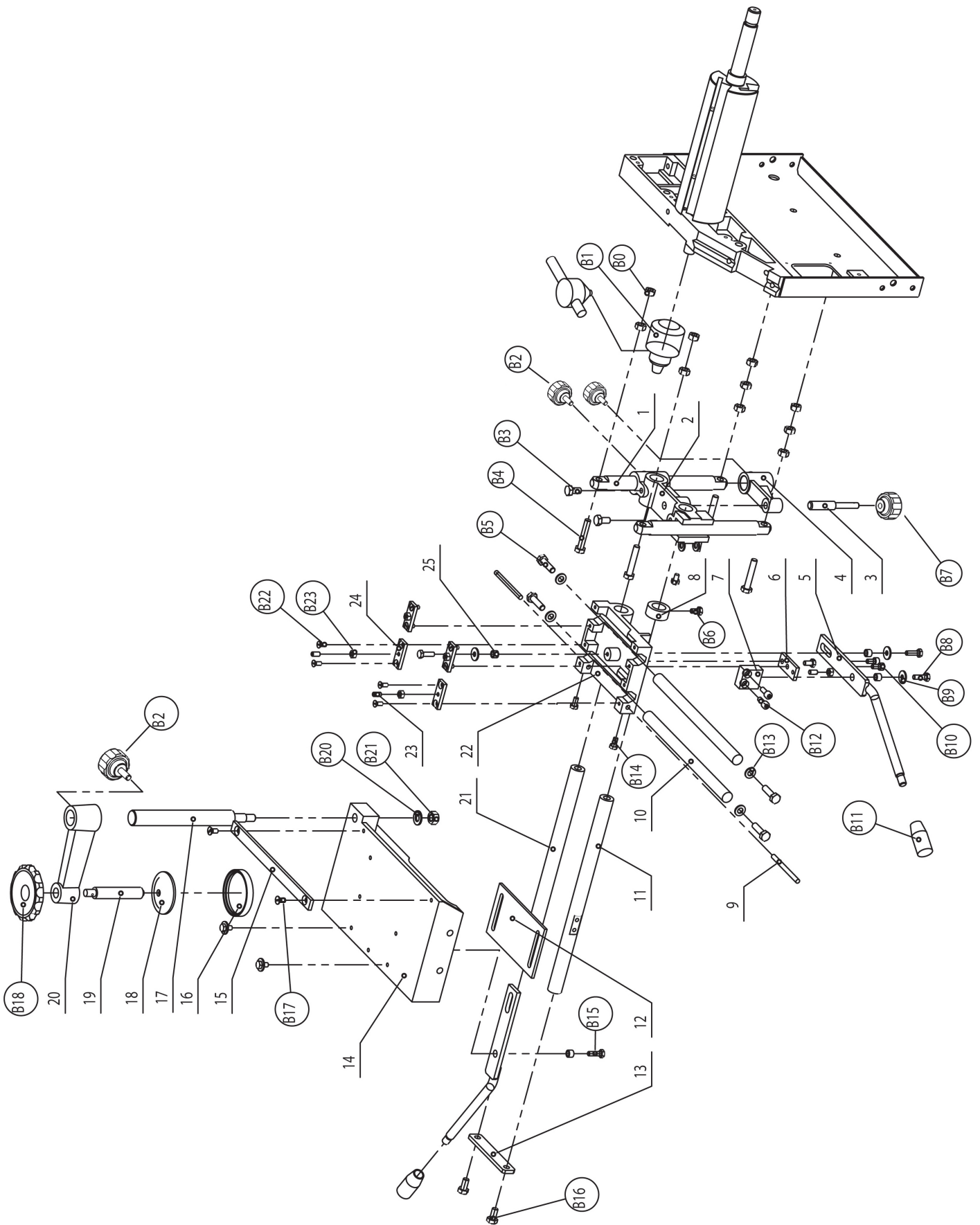
Fax +41 (0) 44 806 47 58

Parts List For 93000.13100 multi-use woodworking –LT00



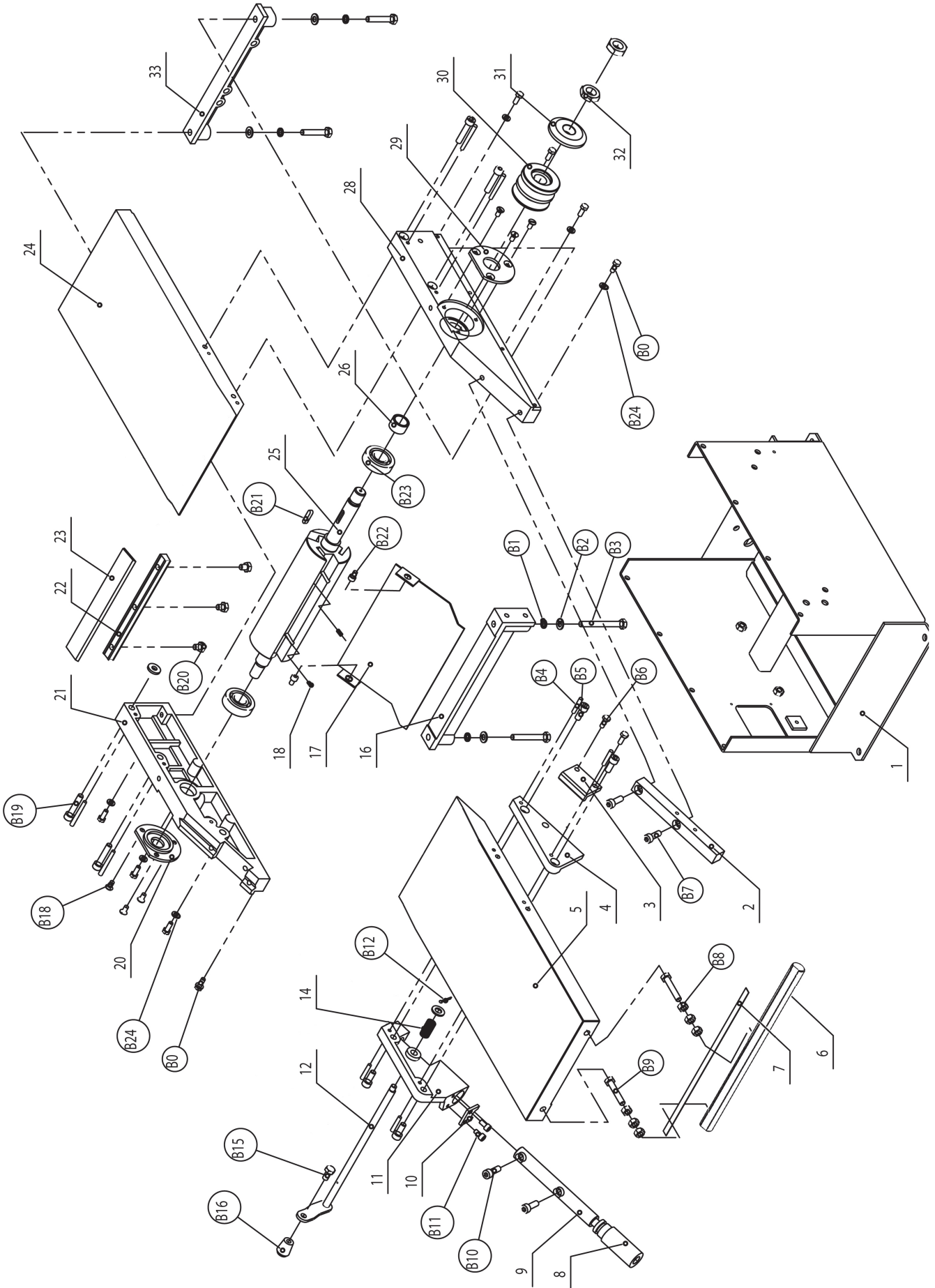
Index No.	Part No.	Description	Qty.
	LT00-001	Hood	1
	LT00-002	Rabbit-cutting pole	1
	LT00-003	Rabbit-cutting base	1
	LT00-004	Rabbit-cutting table	1
	LT00-005	Locating plate	1
	LT00-006	Sliding Base	1
	LT00-007	Sliding Bracket	1
	LT00-008	Fence	1
	LT00-009	Mounting Bracket	1
	LT00-010	Switch box	1
	LT00-011	Switch board	1
	LT00-012	Grounding label	1
	LT00-013	Guard support	1
	LT00-014	Setting rod	1
	LT00-015	Guard extrusion	1
	LT00-016	Mounting bracket	1
	LT00-017	Guard extrusion clamping lever	1
	LT00-018	Guard extrusion end cap	2
	LT00-020-2	pulley	1
	LT00-021	hood	1
	LT00-022	Hood pole	3
	LT00-023	Blade guard	1
	LT00-B0	Nut M6	2
	LT00-B1-2	Belt O800	2
	LT00-B2	Pin 5×35	1
	LT00-B3	Screw M5×12	4
	LT00-B4	Bigger washer 6-140HV	3
	LT00-B5	Bolt M6×16	2
	LT00-B6	Handle M8x35	1
	LT00-B6B	Locking handle M8x25	1
	LT00-B7	Hex Bolt M8x28	2
	LT00-B8	Flat Washer 8	1
	LT00-B8B	Spring Washer 8	2
	LT00-B9	Assemble switch	1
	LT00-B10	Pan head screw M4×5	4
	LT00-B11	Bolt M6×20	1
	LT00-B15	Pan head screw M4X8	2
	LT00-B16	Set screw M8x16	1
	LT00-B17	Carriage bolt M6x16	3
	LT00-B18	Nut M6	3
	LT00-B21	Pin 5×22	4
	LT00-B23-3	Motor YC90L-2	1
	LT00-B24	screw M5×8	3
	LT00-B26	Carriage Bolt M6x25	2
	LT00-B27	Hex Bolt M6	2
	LT00-B28	Spring Washer 6	2

Parts List For 93000.13100 multi-use woodworking –LT01



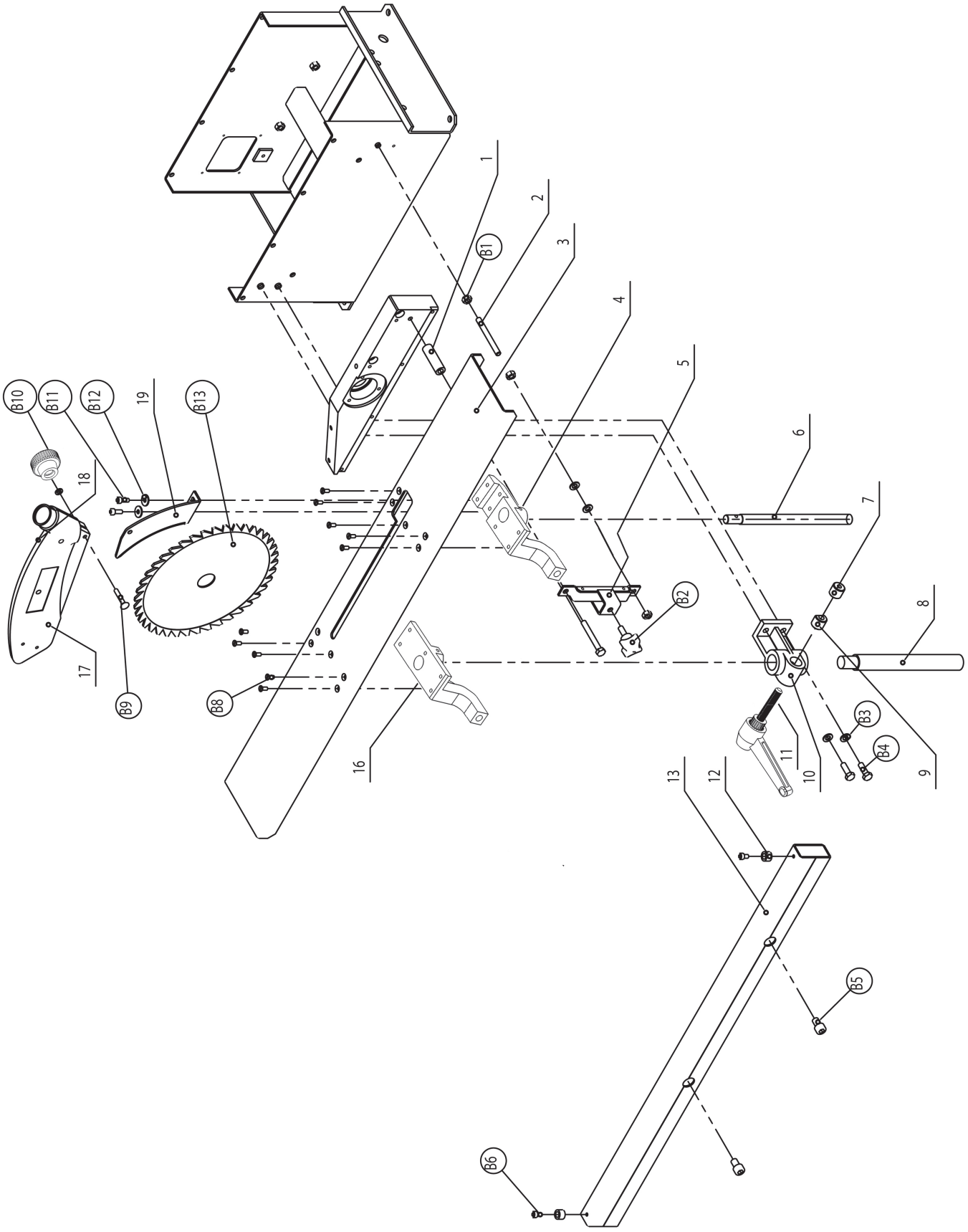
Index No.	Part No.	Description	Qty.
	LT01-001	Guide pole	2
	LT01-002	Sliding base	1
	LT01-003	Screw arbor	1
	LT01-004	Micro-adjust screw base	1
	LT01-005	Handle	2
	LT01-006	presser	1
	LT01-007	Support base	1
	LT01-008	Locating ring	1
	LT01-009	Pole	2
	LT01-010	Round track	2
	LT01-011	Round track	1
	LT01-012	Locate plate	1
	LT01-013	Connect plate	1
	LT01-014	Drill bench	1
	LT01-015	locater	1
	LT01-016	Presser case	1
	LT01-017	pole	1
	LT01-018	presser	1
	LT01-019	Screw arbor	1
	LT01-020	Radial arm	1
	LT01-021	Round track	1
	LT01-022	slider	1
	LT01-023	screw	5
	LT01-024	presser	4
	LT01-025	Press case	4
	LT01-B0	Nut M8	10
	LT01-B1	Chuck js13/2a	1
	LT01-B2	handle M8×15	2
	LT01-B3	Bolt M8×16	2
	LT01-B4	Bolt M8×45	2
	LT01-B5	Bolt M8×30	4
	LT01-B6	Bolt M6×10	1
	LT01-B7	handle M8	1
	LT01-B8	Bolt M6×20	2
	LT01-B9	Bigger washer 6-140HV	2
	LT01-B10	Screw M6×12	2
	LT01-B11	Handle cover BM10×50	2
	LT01-B12	Screw M6×16	2
	LT01-B13	Washer 8-140HV	4
	LT01-B14	Bolt M6×12	2
	LT01-B15	Bolt M6×20	2
	LT01-B16	Bolt M8×16	2
	LT01-B17	Screw M6×12	2
	LT01-B18	Handle B10×80	1
	LT01-B20	Washer 10-140HV	1
	LT01-B21	Nut M10	1
	LT01-B22	screw M5×12	8
	LT01-B23	Nut M6	6

Parts List For 93000.13100 multi-use woodworking –LT02



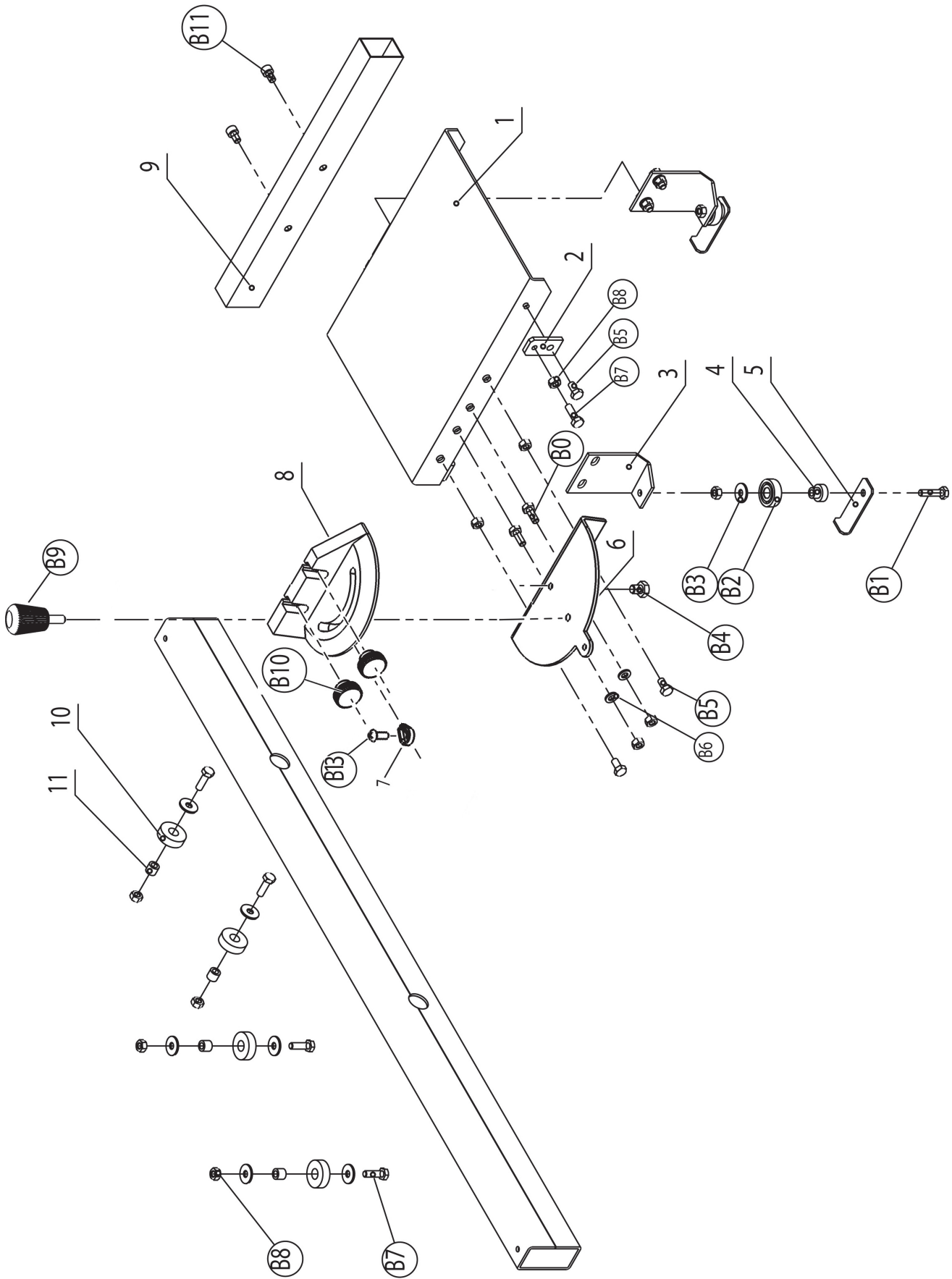
Index No.	Part No.	Description	Qty.
	LT02-001-2	Base	1
	LT02-002	Sqrare guide	1
	LT02-003	Locking fastening	1
	LT02-004	Right slider	1
	LT02-005	Front bench	1
	LT02-006	Guide track	1
	LT02-007	ruler	1
	LT02-008	Knob	1
	LT02-009	Round guide	1
	LT02-010	Back lip plate	1
	LT02-011	Left slider	1
	LT02-012	Locking bar	1
	LT02-014	Spring	1
	LT02-016	Strengthen base	1
	LT02-017	Arbor hood	1
	LT02-018	Spring	2
	LT02-020	Left bearing cover	1
	LT02-021	Left bearing base	1
	LT02-022	Tool presser	3
	LT02-023	Planing tool	3
	LT02-024	Back bench	1
	LT02-025	Blade shaft	1
	LT02-026	Distance spacer	1
	LT02-028	Right bearing base	1
	LT02-029	Right bearing cover	1
	LT02-030-2	Pulley	1
	LT02-031	Press plate	1
	LT02-032	Nut	2
	LT02-033-2	Strengthen base	1
	LT02-B0	Bolt M6×16	8
	LT02-B1	Spring washer 8	4
	LT02-B2	Washer 8-140HV	4
	LT02-B3	Bolt M8×75	2
	LT02-B4	Pin 5×30	4
	LT02-B5	Screw M8×20	4
	LT02-B6	Bolt M6×16	2
	LT02-B7	Screw M8×25	2
	LT02-B8	Nut M8	6
	LT02-B9	Bolt M8×45	4
	LT02-B10	Screw M8×25	2
	LT02-B11	Screw M6×12	2
	LT02-B12	Pin 2.5×20	1
	LT02-B15	Bolt M8×16	1
	LT02-B16	Handle cover M8×25	1
	LT02-B18	Screw M6×12	6
	LT02-B19	Screw M8×40	4
	LT02-B20	Bolt M8×10	9
	LT02-B21	Key 6×25	1
	LT02-B22	Screw M6×10	2
	LT02-B23	Bearing 6204	2
	LT02-B24	Washer 6	8

Parts List For 93000.13100 multi-use woodworking –LT03



Index No.	Part No.	Description	Qty.
	LT03-001	Distance spacer	1
	LT03-002	Screw	1
	LT03-003	Saw table	1
	LT03-004	Right saw table	1
	LT03-005	Press disk	1
	LT03-006	Saw table assist pole	1
	LT03-007	Locking nut	1
	LT03-008	Sawing pole	1
	LT03-009	Locking case	1
	LT03-010	Sawing supporter	1
	LT03-011	Locking handle Asm.	1
	LT03-012	Limit block	2
	LT03-013	Sawing guide	1
	LT03-016	Left saw table	1
	LT03-017	Right saw cover	1
	LT03-018	Left saw cover	1
	LT03-019	splitter	1
	LT03-B1	Nut M8	3
	LT03-B2	Handle M8×40×22	1
	LT03-B3	Washer 8-140HV	4
	LT03-B4	Hex screw M8×25	2
	LT03-B5	Hex screw M10×16	2
	LT03-B6	Hex screw M6×10	2
	LT03-B8	Screw M5×12	10
	LT03-B9	Bolt M6×35	1
	LT03-B10	Adjusting Nut M6	1
	LT03-B11	Hex screw M6×16	2
	LT03-B12	wahser6-140HV	2
	LT03-B13	Saw	1

Parts List For 93000.13100 multi-use woodworking –LT04



Index No.	Part No.	Description	Qty.
	LT04-001	Saw table	1
	LT04-002	locating plate	1
	LT04-003	Sliding bracket	2
	LT04-004	Press case	2
	LT04-005	Cord clamp	2
	LT04-006	Index base	1
	LT04-007	Indicator	1
	LT04-008	Index	1
	LT04-009	fence	1
	LT04-010	pulley	4
	LT04-011	Press case	4
	LT04-B0	Hex screw M6×15	2
	LT04-B1	Hex screw M6×20	2
	LT04-B2	Bearing 626ZZ	2
	LT04-B3	Bigger washer 6-140HV	6
	LT04-B4	Hex bolt M6x16	3
	LT04-B5	Hex bolt M6X12	5
	LT04-B6	Washer 6	10
	LT04-B7	Nut M6	2
	LT04-B9	Handle M6×15	1
	LT04-B10	Adjusting Nut M6	2
	LT04-B11	Screw M6×25	2
	LT04-B13	Pan Head Screw M5x8	1