

J E T

**SS-5N/6N
SS-8N/12N**

SLITTING SHEAR

SS-5N....754105S

SS-6N....754106S

SS-8N....754108S

SS-12N....754112S

PARTS LIST ERSATZTEILLISTE LISTE DE PIECES

WMH Tool Group AG

Bahnstrasse 24, CH – 8603 Schwerzenbach

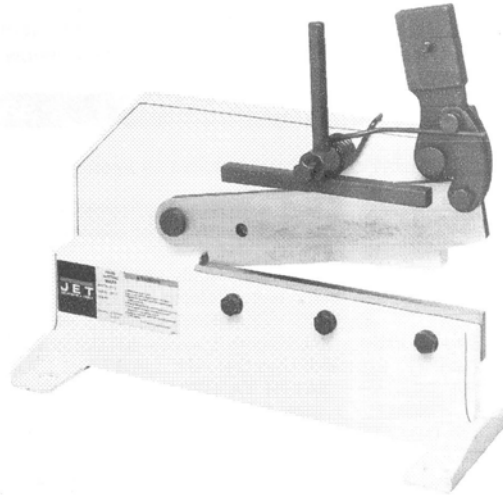
www.wmhtoolgroup.ch; info@wmhtoolgroup.ch

Tel +41 (0) 44 806 47 48

Fax +41 (0) 44 806 47 58

P-754105S-754112S 10/06





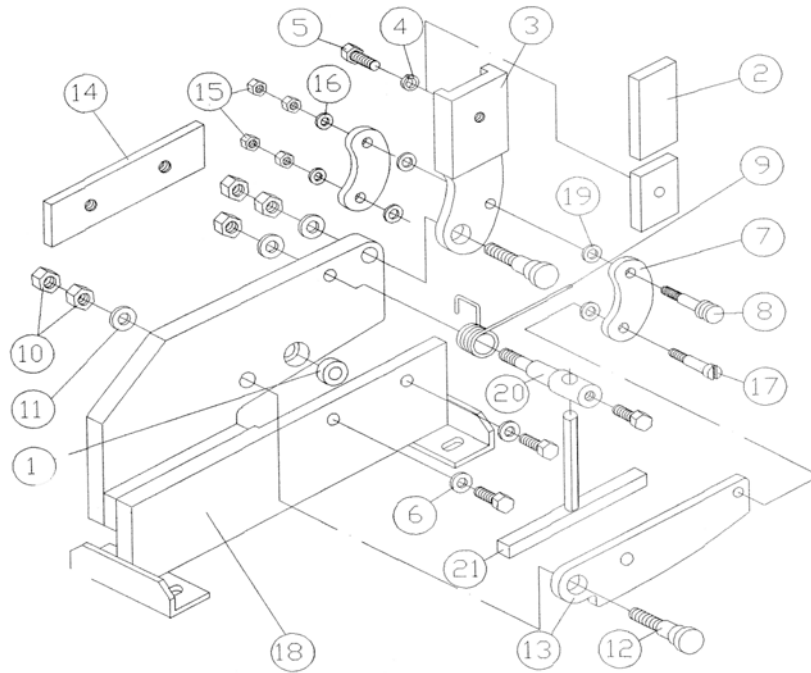
, WARNING

For your own safety, read the owner's manual before operating the shears.

This shear is designed and intended for use by properly trained and experienced personnel only. If you are not familiar with the proper and safe operation of a shear, do not use until proper training and knowledge has been obtained.

1. **KEEP GUARDS IN PLACE** and in working order.
2. **KEEP ALL BODY PARTS AWAY FROM MOVING PARTS.** Avoid placing any part of your body near belts, cutters, gears, etc.
3. **DO NOT EXCEED RATED CAPACITY** of the shears.
4. **KEEP THE WORK AREA CLEAN.** Cluttered areas and work benches invite accidents.
5. **KEEP CHILDREN AWAY.** All visitors should be kept a safe distance from the work area.
6. **MAKE THE WORKSHOP KID PROOF** with padlocks, master switches, or by removing starter keys.
7. **DON'T FORCE THE MACHINE.** It will do the job better and safer at the rate for which it was designed.
8. **USE THE RIGHT MACHINE.** Don't force a machine or attachment to do a job for which it was not designed.
9. **WEAR PROPER APPAREL.** Do not wear loose clothing, gloves, neckties, rings, bracelets, or other jewelry which may get caught in moving parts. Non-slip footwear is recommended. Wear protective hair covering to contain long hair.
10. **ALWAYS USE SAFETY GLASSES.** Also use face or dust masks if the cutting operation is dusty. Everyday eyeglasses only have impact resistant lenses; they are not safety glasses.
11. **DON'T OVERREACH.** Keep proper footing and balance at all times.
12. **MAINTAIN TOOLS WITH CARE.** Keep tools sharp and clean for the best and safest performance. Follow instructions for lubricating and changing accessories.
13. **NEVER STAND ON A MACHINE.** Serious injury could occur if the machine tipped.
14. **CHECK DAMAGED PARTS.** Before further use of the machine, a guard or other part that is damaged should be carefully checked to determine that it will operate properly and perform its intended function - check for alignment of moving parts, binding of moving parts, breakage of parts, mounting, and any other conditions that may affect its operation. A guard or other part that is damaged should be properly repaired or replaced.
15. **SHEET METAL STOCK HAS SHARP EDGES.** To prevent cuts, use caution when handling.
16. **KEEP HANDS AND FINGERS** clear of the shear.
17. **DO NOT USE THE MACHINE** for any purpose other than for which it was designed
18. **FAILURE TO COMPLY** with all of these warnings may cause serious injury.
19. **SOME DUST CREATED BY** power sanding, sawing, grinding, drilling and other construction activities contains chemicals known to cause cancer, birth defects or other reproductive harm. Some examples of these chemicals are:
 - Lead from lead based paint
 - crystalline silica from bricks and cement and other masonry products, and
 - arsenic and chromium from chemically-treated lumber.
20. **YOUR RISK FROM THOSE EXPOSURES** varies, depending on how often you do this type of work. To reduce your exposure to these chemicals: work in a well ventilated area, and work with approved safety equipment, such as those dust masks that are specifically designed to filter out microscopic particles
21. **DO NOT OPERATE TOOL** while under the influence of drugs, alcohol or any medication.

Breakdown for the SS-5N & SS-6N Slitting Shears

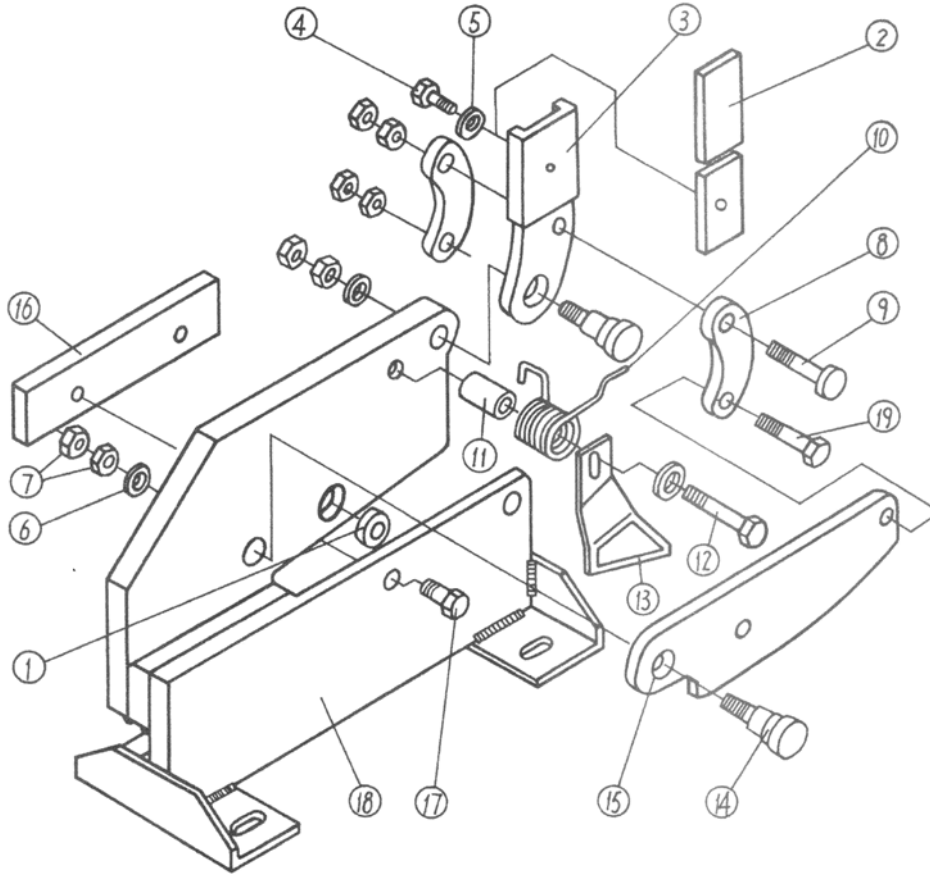


Parts List For The SS-5N & SS-6N Slitting Shear

Index Part

No.	No.	Description	Quantity
1.....	SS5N-1.....	Round Blade	1
	SS6N-1.....	Round Blade	1
2.....	SS5N-2.....	Hand Lever	1
3.....	SS5N-3.....	Hand Adapter	1
4.....	SS5N-4.....	Spring Washer 10	1
5.....	SS5N-5.....	Hex Bolt M10×20.....	4
6.....	SS5N-6.....	Washer 10.....	2
7.....	SS5N-7.....	Link	2
8.....	SS5N-8.....	Set Bolt	1
9.....	SS5N-9.....	Spring	1
10.....	SS5N-10.....	Hex Nut M12	5
11.....	SS5N-11.....	Washer 12.....	3
12.....	SS5N-12.....	Shoulder Bolt	2
13.....	SS5N-13.....	Upper Blade	1
	SS6N-13.....	Upper Blade	1
14.....	SS5N-14.....	Lower Blade	1
	SS6N-14.....	Lower Blade	1
15.....	SS5N-15.....	Hex Nut M8	4
16.....	SS5N-16.....	Washer 8.....	2
17.....	SS5N-17.....	Set Bolt	1
18.....	SS5N-18.....	Frame	1
	SS6N-18.....	Frame	1
19.....	SS5N-19.....	Small Washer 10.....	4
20.....	SS5N-20.....	Shoulder Bolt	1
21.....	SS5N-21.....	Stopper	1

Breakdown for the SS-8N & SS-12N Slitting Shears



Parts List for the SS-8N & SS-12N Slitting Shear

Index No.	Part No.	Description	Quantity
1.....	SS8N-1.....	Round Blade.....	1
2.....	SS8N-2.....	Hand Lever.....	1
3.....	SS8N-3.....	Hand Adapter.....	1
4.....	SS8N-4.....	Hex Cap Screw.....	1
5.....	SS8N-5.....	Spring Washer.....	1
6.....	SS8N-6.....	Washer.....	3
7.....	SS8N-7.....	Hex Nut.....	8
8.....	SS8N-8.....	Link.....	2
9.....	SS8N-9.....	Hex Cap Bolt.....	1
10.....	SS8N-10.....	Spring.....	1
11.....	SS8N-11.....	Bushing.....	1
12.....	SS8N-12.....	Hex Cap Bolt.....	1
13.....	SS8N-13.....	Holddown.....	1
14.....	SS8N-14.....	Shoulder Bolt.....	2
15.....	SS8N-15.....	Upper Blade.....	1
.....	SS12N-15.....	Upper Blade.....	1
16.....	SS8N-16.....	Lower Blade.....	1
.....	SS12N-16.....	Lower Blade.....	1
17.....	SS8N-17.....	Hex Cap Bolt.....	3
18.....	SS8N-18.....	Frame.....	1
.....	SS12N-18.....	Frame.....	1
19.....	SS8N-19.....	Hex Cap Bolt.....	1