

JET

VBS-18MW

**Ленточная пила по
дереву и по металлу**

414418M...220/50/1

414418T...380/50/3

Список деталей

WMH Tool Group AG

Bahnstrasse 24,

CH – 8603 Schwerzenbach

www.wmhtoolgroup.ch

info@wmhtoolgroup.ch

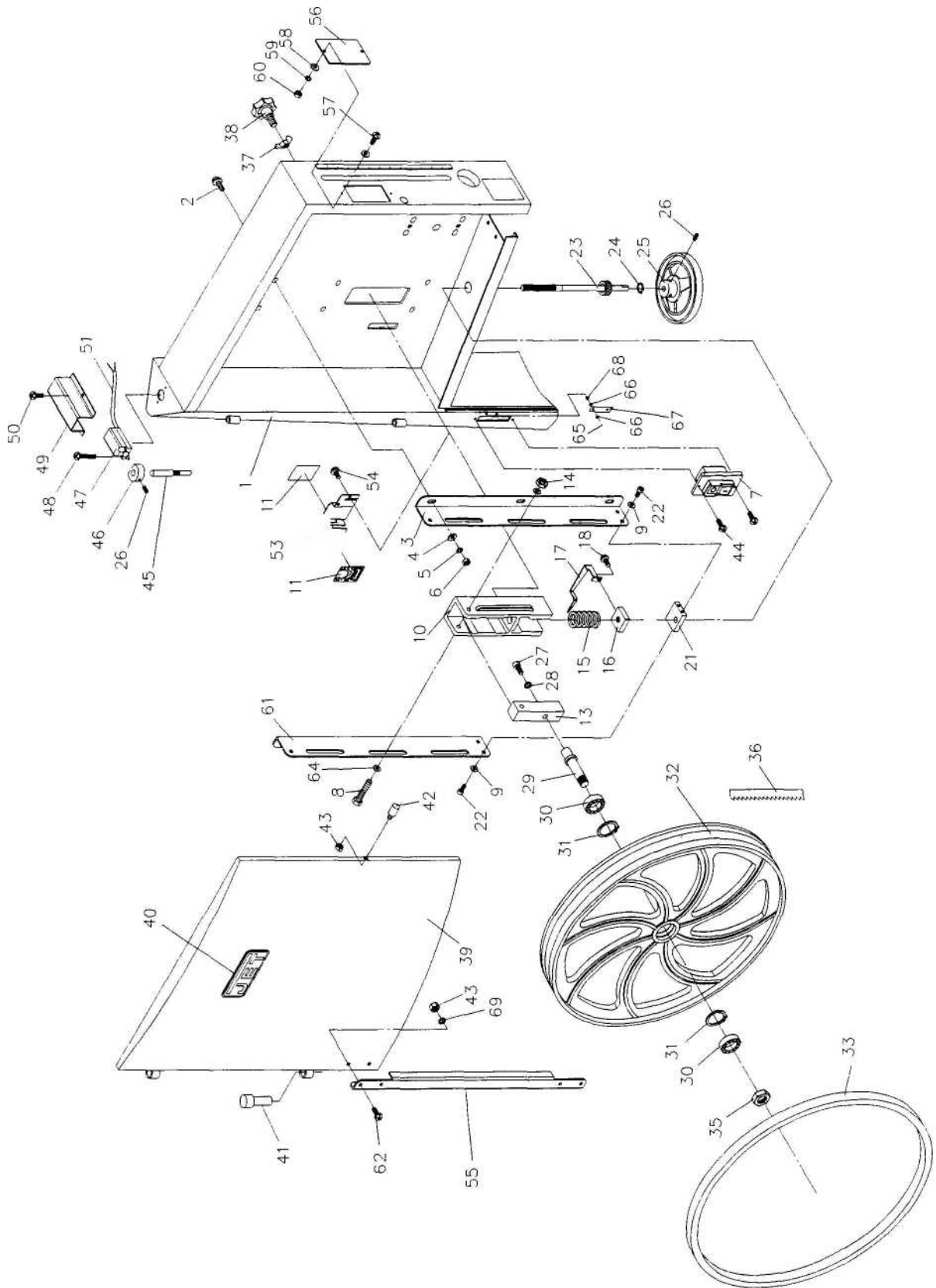
Tel +41 (0)44 806 47 48

Fax +41 (0) 44 806 47 58

P-414418M/T 08/07



Upper Wheel Assembly



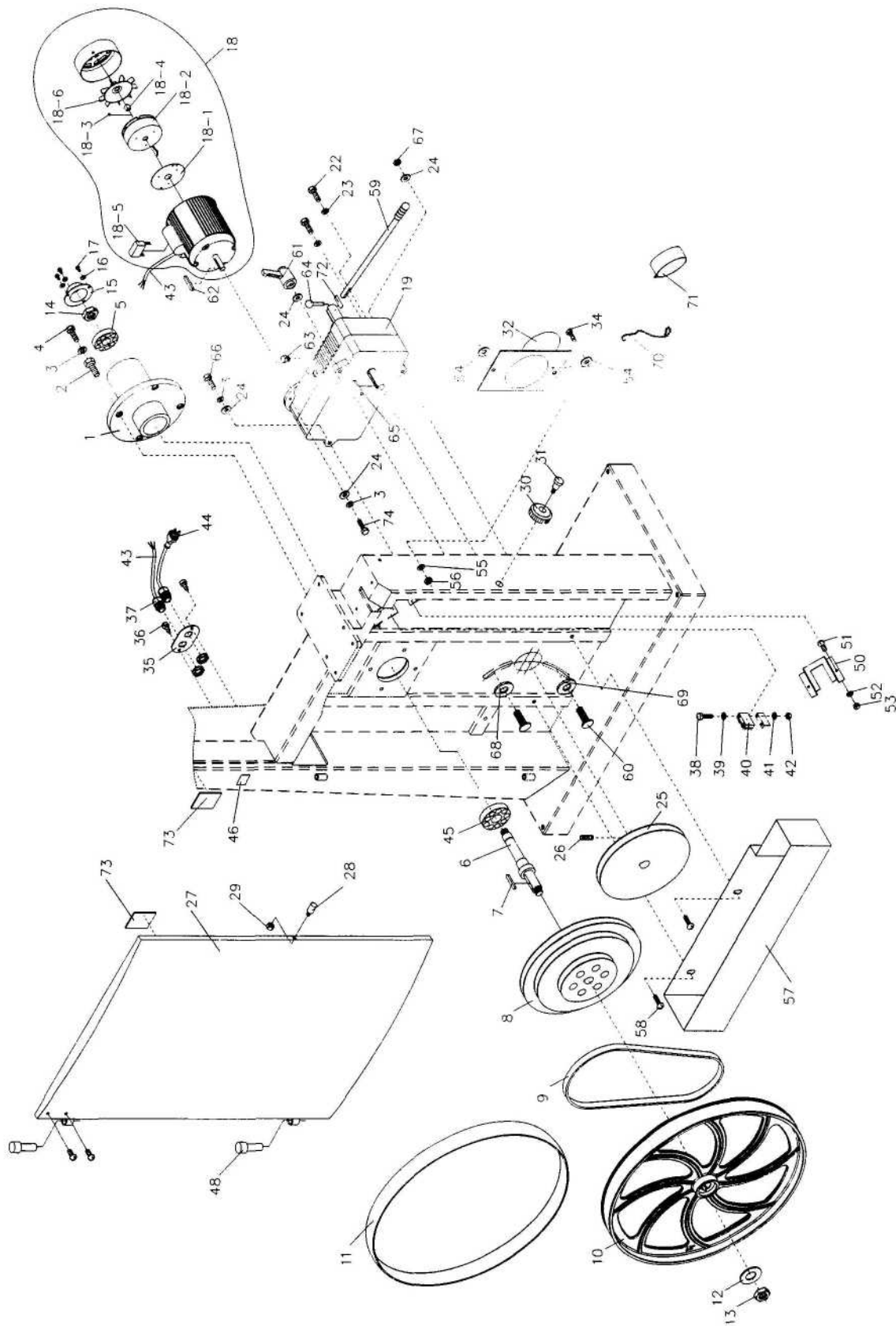
Parts List: Upper Wheel Assembly

No.	Part No.	Description	Size	Qty
1	VBS18MW-101E	Saw Body		1
2	TS-0152011	Carriage Bolt	5/16-18x1	6
3	JWBS18DX-103	Upper Wheel Bracket (Right Side)		1
4	TS-0680031	Flat Washer	5/16	6
5	TS-0720081	Lock Washer	5/16	6
6	TS-0561021	Hex Nut	5/16-18	6
7	JWBS18DX-107E	Switch	1Ph	1
	JWBS18DX-107AE	Switch	3Ph	1
8	TS-1490151	Hex Cap Screw	M8x80	1
9	TS-0680021	Flat Washer	1/4	4
10	JWBS18DX-110	Sliding Bracket		1
11	VBS18MW-111E	Blade Tension Indicator		2
13	JWBS18DX-113	Shaft Bracket		1
14	TS-1541031	Nylon Nut	M8	1
15	JWBS18-115	Spring		1
16	JWBS18-116	Square Nut		1
17	JWBS18DX-117	Pointer		1
18	JWBS18-118	Screw	M5x8	1
21	JWBS18DX-121	Bracket		1
22	TS-0050021	Hex Cap Screw	1/4-20x5/8	4
23	JWBS18DX-123	Blade Adjusting Screw		1
24	JWBS18-124	E-Ring	E-9	1
25	JWBS18-125	Hand Wheel		1
26	TS-0267041	Set Screw	1/4-20x3/8	3
27	TS-0209021	Socket Head Cap Screw	3/8-16x5/8	1
28	TS-0720091	Lock Washer	3/8	1
29	JWBS18-129	Upper Wheel Shaft		1
30	BB-6203ZZ	Ball Bearing	6203ZZ	2
31	JWBS18-131	Retaining Ring	R40	2
32	JWBS18-132	Upper Wheel		1
33	JWBS18DX-133	Tire		1
35	JWBS18-135	Hex Nut	5/8-18UNF L.H.	1
36	VBS18MW-136	Blade	137"	1
37	TS-0590061	Wing Nut	5/16-18	1
38	JWBS18-138	Lock Knob	5/16	1
39	JWBS18DX-139AE	Upper Front Door		1
40	JWBS18-140	JETNameplate		1
41	JWBS18-39A	Door Hinge Pin		1
42	JWBS18-142	Bolt		1
43	TS-0561011	Hex Nut	1/4-20	3
44	TS-081C022	Screw	#10-24x3/8	2
45	JWBS18-145E	Door Hinge Pin		1
46	JWBS18-146E	Set Block		1
47	JWBS18DX-147E	Limited Switch		1
48	JWBS18-148E	Screw	M4x30	2
49	JWBS18-149E	Switch Cover		1
50	TS-1480031	Screw		2
51	JWBS18DX-151	Switch Cord (Switch to limited switch)		1
53	JWBS18DX-153	Scale Bracket		1
54	TS-081C022	Screw	#10-24x3/8	2

Parts List: Upper Wheel Assembly

No.	Part No.	Description	Size	Qty
55	JWBS18DX-155AE	Door Plate		1
56	JWBS18DX-147	Tracking Window		1
57	TS-081C032	Screw	#10-24x1/2	2
58	TS-1550031	Flat Washer	M5	4
59	TS-2361051	Lock Washer	M5	2
60	TS-0560071	Hex Nut	#10-24	2
61	JWBS18DX-146	Upper Wheel Bracket (Left Side)		1
62	JWBS18-154E	Screw	1/4-20x5/8	4
64	TS-1550061	Flat Washer	M8	2
65	TS-1533052	Screw	M5x16	2
66	TS-0733031	Star Washer	M5	4
67	VBS18MW-167E	Grounding Label		1
68	TS-1540031	Hex Nut	M5	2
69	TS-0720071	Lock Washer	1/4	4

Lower Wheel and Motor Assembly



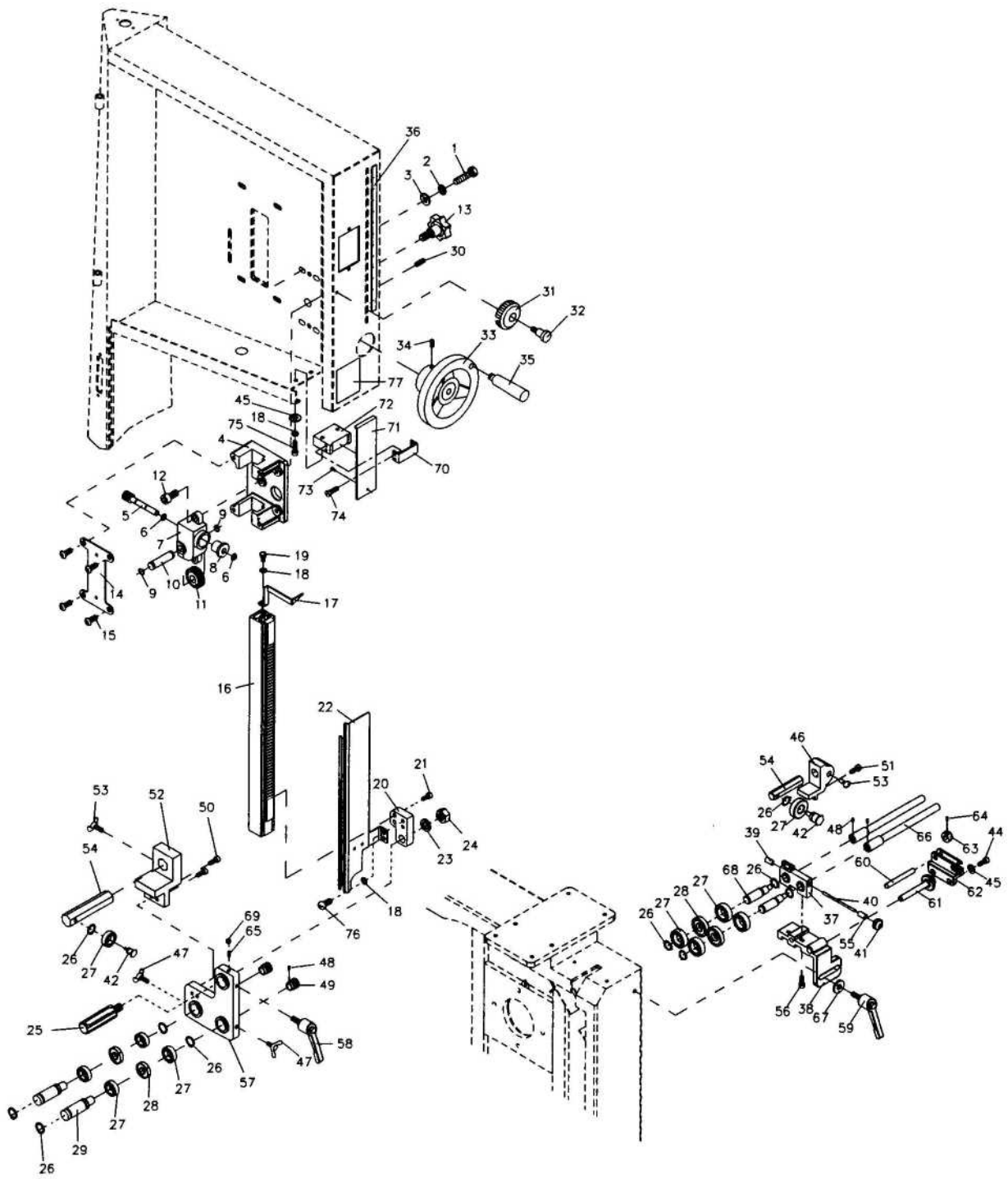
Parts List: Lower Wheel and Motor Assembly

Index No.	Part No.	Description	Size	Qty
1	JWBS18-201N	Bearing Base		1
2	JWBS20-62	Adjusting Bolt		4
3	TS-0720091	Lock Washer	3/8	9
4	TS-0060081	Hex Cap Screw	3/8-16x1-3/4	4
5	BB-6204ZZ	Ball Bearing	6204ZZ	1
6	VBS18MW-206	Spindle		1
7	VBS18MW-207	Key	7x7x60	1
8	VBS18MW-208	Spindle Pulley		1
9	VB-B48	V-Belt	B-48	1
10	JWBS18-210	Lower Wheel		1
11	JWBS18DX-133	Tire		1
12	TS-0680081	Flat Washer	5/8	1
13	JWBS18-135	Hex Nut	5/8-18UNF LH	1
14	JWBS18-214	Hex Nut	5/8-18UNF R.H	1
15	JWBS18-215	Bearing Cover		1
16	TS-0720051	Lock Washer	#10	3
17	TS-081C022	Screw	#10-24x3/8	3
18	VBS18MW-218E	Motor	1-3/4HP, 1Ph, 230V	1
	VBS18MW-218AE	Motor	2HP, 3Ph, 400V	1
	JWBS16-RCE	Running Capacitor (not shown)	20uf, 450VAC	1
	JWBS18-CCE	Capacitor Cover (not shown)		1
	JWBS18DX-MFCE	Motor Fan Cover		1
18-1	JWBS18DX-PE	Plate		1
18-2	JWBS18DX-BME	Brake Magnet		1
18-3	JWBS18DX-KE	Key	4x4x14	1
18-4	JWBS18DX-BE	Block		1
18-5	JWBS18DX-219	Rectifier		1
18-6	JWBS18DX-FANE	Fan		1
19	VBS18MW-219	Gear Box Assembly		1
22	TS-0254041	Button Head Socket Screw	1/4-20x1	2
23	TS-0720071	Lock Washer	1/4	2
24	TS-0680041	Flat Washer	3/8	7
25	VBS18MW-225	Motor Pulley		1
26	TS-0270031	Set Screw	5/16-18x3/8	2
27	JWBS18DX-227AE	Lower Front Door		1
28	JWBS18-142	Bolt		1
29	TS-0561011	Hex Nut	1/4-20	1
30	JWBS20-2	Lock Knob		1
31	TS-081F052	Screw	1/4-20x3/4	1
32	JWBS18-232E	Dust Chute		1
33	TS-0680031	Flat Washer	5/16	5
34	TS-0081031	Hex Cap Screw	5/16-18x3/4	2
35	JWBS18-235	Plate		1
36	TS-081C032	Screw	#10-24x1/2	2
37	54A-S39	Strain Relief Bushing (1 Ph)	PG11	2
	JWL1642-196E	Strain Relief Bushing (3 Ph)	PG13.5	1
38	TS-081C082	Screw	#10-24x1-1/2	2
39	TS-1550031	Flat Washer	M5	2
40	JWBS18-240	Brush		1
41	TS-2361051	Lock Washer	M5	2
42	TS-0560071	Hex Nut	#10-24	2

Parts List: Lower Wheel and Motor Assembly

Index No.	Part No.	Description	Size	Qty
43	JWBS18DX-243E	Motor Cord (switch to motor)	1Ph	1
	JWBS18DX-243AE	Motor Cord (switch to motor)	3Ph	1
44	JWBS18DX-244E	Power Cord	1Ph	1
	JWBS18DX-244AE	Power Cord	3Ph	1
45	BB-6205ZZ	Ball Bearing	6205ZZ	1
46	VBS18MW-246E	ID Label	1Ph	1
	VBS18MW-246AE	ID Label	3Ph	1
48	JWBS18-39A	Door Hinge Pin		2
50	JWBS18DX-250	Shelf		1
51	TS-081C032	Screw	#10-24x1/2	2
52	TS-1550031	Flat Washer	M5	2
53	TS-0560071	Hex Nut	#10-24	2
54	JWBS18DX-254	Plastic Washer	5/16	2
55	TS-0720081	Lock Washer	5/16	2
56	TS-0561021	Hex Nut	5/16-18	2
57	VBS18MW-257	Lower Chip Tray		1
58	TS-081F032	Pan Head Screw	1/4-20x1/2	2
59	VBS18MW-259	Handle		1
60	TS-0160021	Carriage Bolt	3/8-16x1-1/2	2
61	VBS18MW-261	Lock Handle		1
62	VBS18MW-262	Key	6x6x40	1
63	VBS18MW-263	Plug		1
64	VBS18MW-264	Handle		1
65	VBS18MW-265	Key	7x7x65	1
66	TS-0090061	Hex Cap Screw	3/8-16x1-1/4	1
67	TS-0640091	Nylon Lock Hex Nut	3/8-16	1
68	VBS18MW-268E	Flat Washer	1/2x34Dx3t	1
69	VBS18MW-269E	Flat Washer	1/2x28Dx2t	1
70	VBS18MW-270E	Line Chain		1
71	VBS18MW-271E	Dust port Cover		1
72	VBS18MW-272E	Label		1
73	VBS18MW-273E	Speed Label		3
74	TS-0060051	Hex Cap Screw	3/8-16x1	1

Blade Guide Assembly



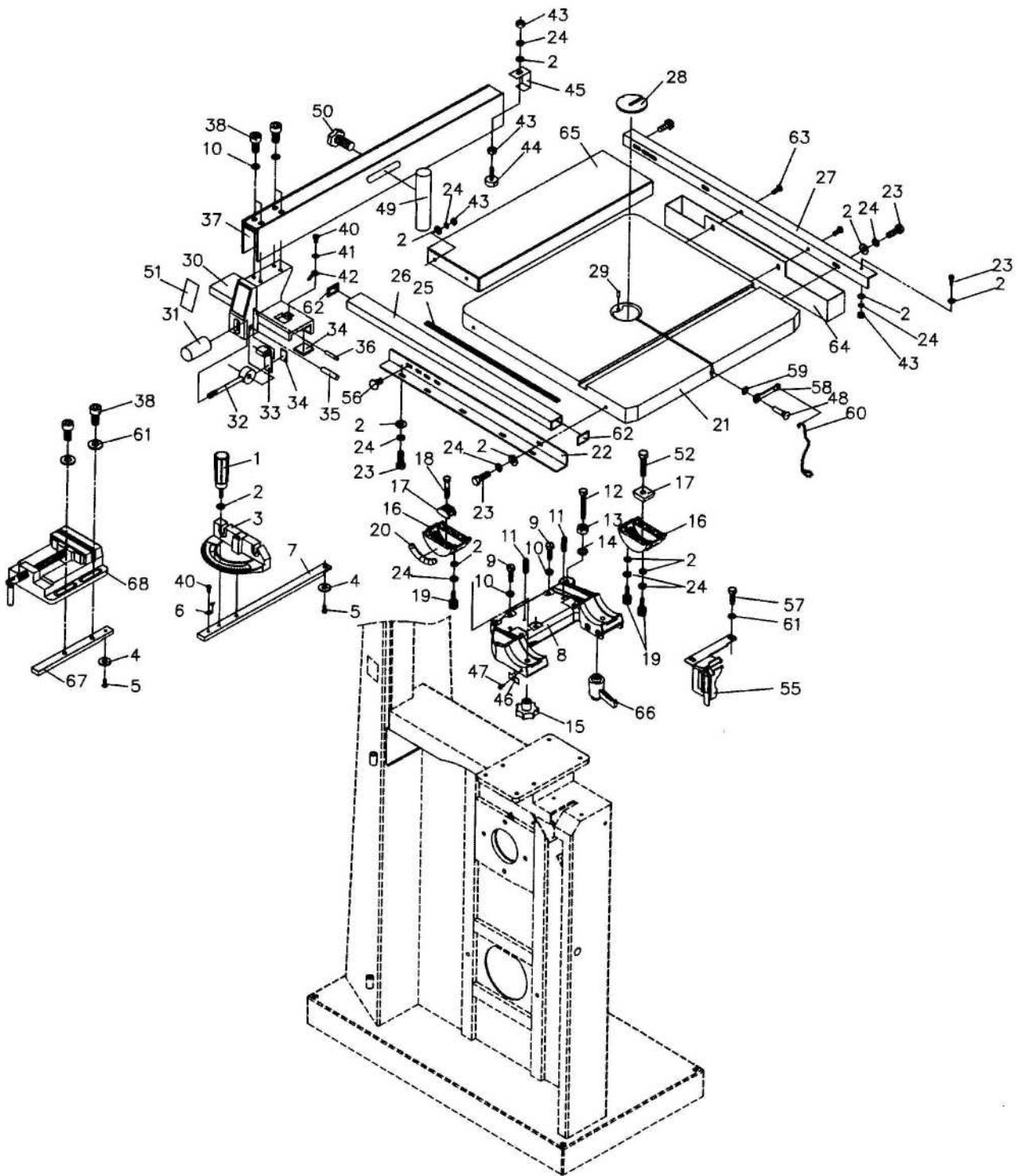
Parts List: Blade Guide Assembly

Index No.	Part No.	Description	Size	Qty
1	TS-0051051	Hex Cap Screw	5/16-18x1	4
2	TS-0720081	Lock Washer	5/16	4
3	TS-0680031	Flat Washer	5/16	8
4	JWBS18DX-304	Guide Bar Bracket		1
5	JWBS18-305	Worm		1
6	JWBS18-306	E-Ring	E-8	2
7	JWBS18-307	Gear Base		1
8	JWBS18-308	Bushing		1
9	JWBS18-309	C-Ring	S-12	2
10	JWBS18-310	Shaft		1
11	JWBS18-311	Gear		1
12	TS-0208071	Socket Head Cap Screw	5/16-18x1-1/4	2
13	JWBS18-313	Lock Knob	5/16	1
14	JWBS18DX-314	Plate		1
15	TS-0255021	Button Head Socket Screw	5/16-18x1/2	4
16	JWBS18DX-316	Guide Bar		1
17	JWBS18DX-317	Pointer		1
18	TS-0720071	Lock Washer	1/4	5
19	TS-0050011	Hex Cap Screw	1/4-20x1/2	1
20	JWBS18-320N	Guide Bracket		1
21	TS-0207031	Socket Head Cap Screw	1/4-20x5/8	2
22	VBS18MW-322E	Blade Guard		1
23	TS-0720111	Lock Washer	1/2	1
24	TS-0561051	Hex Nut	1/2-13	1
25	JWBS18DX-325	Locking Shaft		1
26	JWBS20-326	C-Ring		10
27	BB-6202ZZ	Ball Bearing	6202ZZ	10
28	JWBS20-328	Spacer		4
29	JWBS20-329	Shaft		2
30	TS-0270031	Set Screw	5/16-18x3/8	2
31	JWBS20-2	Lock Knob		1
32	TS-081F052	Screw	1/4-20x3/4	1
33	JWBS18-333	Hand Wheel		1
34	TS-0267041	Set Screw	1/4-20x3/8	1
35	JWBS20-103A	Handle		1
36	JWBS20-336E	Cutting Height Scale		1
37	JWBS18DX-337	Bracket		1
38	JWBS18DX-338	Base		1
39	JWBS20-339	Threaded Lock Bushing		1
40	JWBS20-340	Bolt		1
41	JWBS18DX-341	Lock Knob		1
42	JWBS20-342	Screw		2
44	TS-0207041	Socket Head Cap Screw	1/4-20x3/4	2
45	TS-0680021	Flat Washer	1/4	4
46	JWBS20-360	Bracket		1
47	JWBS20-324	Wing Screw		2
48	TS-1521011	Set Screw	M4 x 4	8
49	JWBS20-349	Knob		2
50	TS-0207031	Socket Head Cap Screw	1/4-20x5/8	2
51	TS-0207021	Socket Head Cap Screw	1/4-20x1/2	2
52	JWBS20-352	Bracket		1
53	JWBS20-353	Thumb Screw	1/4-20x1/2	2
54	JWBS20-354	Bearing Support		2
55	JWBS20-355	Lock Bushing		1
56	TS-0206021	Socket Head Cap Screw	#10-24x1/2	2

Parts List: Blade Guide Assembly

Index No.	Part No.	Description	Size	Qty
57	JWBS18DX-357	Bearing Bracket		1
58	6295293	Locking Handle		1
59	JWBS18DX-359	Locking Handle		1
60	JWBS18DX-360	Shaft		1
61	JWBS18DX-361	Adjusting Screw		1
62	JWBS18DX-362	Adjusting Bracket		1
63	JWBS18DX-363	Nut		1
64	TS-0267021	Set Screw	1/4-20x1/4	1
65	JWBS18DX-365	Set Screw, Special		1
66	JWBS18DX-366	Adjustment Handle		2
67	TS-0680031	Flat Washer	5/16	1
68	JWBS20-329A	Lower Shaft		2
69	TS-0561011	Hex Nut	1/4-20	1
70	JWBS18-347E	Bracket Cover		1
71	JWBS18DX-344E	Upper Blade Guard		1
72	JWNS18DX-343E	Upper Guard Bracket		1
73	JWBS18-346E	Pin		1
74	JWBS18-345E	Flat Head Screw	#10-24x3/8	4
75	TS-0050021	Hex Cap Screw	1/4-20x5/8	2
76	TS-0254031	Button Head Socket Screw	1/4-20x5/8	2
77	JWBS-348E	Blade Direction Label		1

Table and Fence Assembly



Parts List: Table and Fence Assembly

Index No.	Part No.	Description	Size	Qty
1	JWBS18-401	Lock Handle		1
2	TS-0680021	Flat Washer	1/4	26
3	JWBS18-403	Miter Gauge Body		1
4	JWBS20-156	Guide Disc		2
5	JWBS18-405	Screw	M6x8	2
6	JWBS18-406	Pointer		1
7	JWBS18-407	Guide Bar		1
8	JWBS18DX-408	Trunnion Support Bracket		1
9	TS-0051071	Hex Cap Screw	5/16-18x1-1/2	3
10	TS-0720081	Lock Washer	5/16	10
11	TS-0270061	Set Screw	5/16-18x5/8	2
12	TS-0060111	Hex Cap Screw	3/8-16x2-1/2	1
13	TS-0561031	Hex Nut	3/8-16	1
14	TS-0720091	Lock Washer	3/8	1
15	JWBS18-415	Lock Knob		1
16	JWBS18X-416	Trunnion		2
17	JWBS18-417	Trunnion Clamp Shoe		2
18	TS-1491081	Hex Cap Screw	M10x50	1
19	TS-1503041	Socket Head Cap Screw	M6x16	6
20	JWBS18-420	Scale		1
21	VBS18MW-421	Table		1
22	JWBS18-422W	Front Rail		1
23	TS-0050021	Hex Cap Screw	1/4-20x5/8	10
24	TS-0720071	Lock Washer	1/4	21
25	JWBS18-425E	Scale		1
26	JWBS18-426W	Guide Rail		1
27	VBS18MW-427E	Rear Rail		1
28	JWBS20-144	Table Insert		1
	JWBS20-144E	Narrow Table Insert		1
29	JWBS20-145	Roll Pin	3x10	1
30	JWBS18-430	Fence Body		1
31	JWBS18-431	Knob		1
32	JWBS18-432	Lock Handle		1
33	JWBS18-433W	Lock Plate		1
34	JWBS18-434	Pad		5
35	JWBS18-435	Pin		1
36	JWBS18-436	Pin		1
37	JWBS18-437EA	Fence		1
38	TS-0208041	Socket Head Cap Screw	5/16-18x3/4	6
40	TS-0810012	Screw	#10-24x1/4	2
41	TS-0733031	External Tooth Lock Washer	#10	1
42	JWBS18-442	Pointer		1
43	TS-0561011	Hex Nut	1/4-20	7
44	JWBS18-444	Sliding Pad		1
45	JWBS18-445	Rear Hook		1
46	JWBS18-446	Pointer		1
47	JWBS18-447	Screw	M5x8	1
48	JWBS18DX-448	Table Pin		1
49	JWBS18-449E	Resaw Post		1
50	JWBS18-450	Lock Knob		1
51	JWBS18-451	JET Fence Label		1
52	TS-2210651	Hex Cap Screw	M10x65	1
55	VBS18MW-455E	Lower Blade Guard		1

Parts List: Table and Fence Assembly

Index No.	Part No.	Description	Size	Qty
56	TS-0151081	Carriage Bolt	1/4-20x5/8	4
57	TS-0051091	Hex Cap Screw	5/16-18x2	3
58	40-0260	Wrench		1
59	JWBS18DX-459	C-Ring	S-10	1
60	JWBS18DX-460	Link Chain		1
61	TS-0680031	Flat Washer	5/16	8
62	2013-285	End Cover		2
63	TS-081F032	Pan Head Screw	1/4-20x1/2	2
64	VBS18MW-464	Upper Chip Tray		1
65	JWBS18DX-455E	Extension Table		1
66	JWBS18DX-458E	Lock Handle		1
	VBS18MW-468AE	Vise Assembly (item 4, 5, 38, 61, 67, 68)		2
67	VBS18MW-467E	Bar		1
68	VBS18MW-468E	Vise Kit		1
	JWBS18-MGCP	Miter Gauge Assembly		1
	VBS18MW-FCPE	Fence/Rails Assembly		1

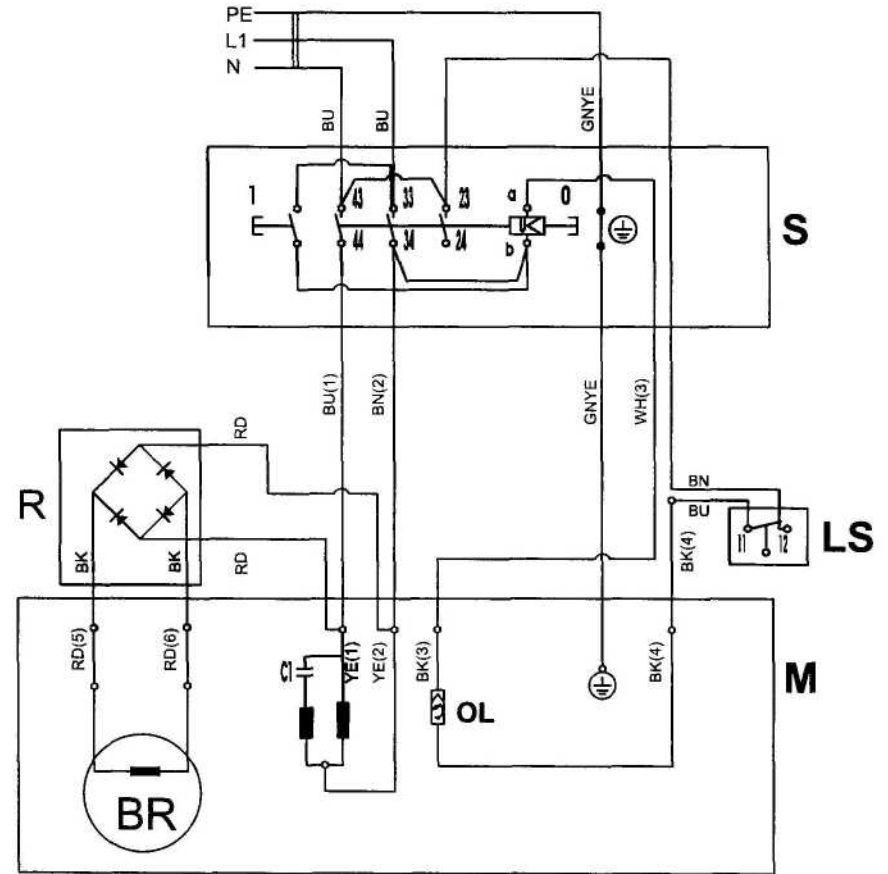
VBS-18MW

414418M

	colour	of	Litzenfarben	couleur	des
BK	black		schwarz	noir	
WH	white		weiss	blanc	
BU	blue		blau	bleu	
YE	yellow		gelb	jaune	
RD	red		rot	rouge	
BN	brown		braun	brun	
GY	grey		grau	gris	
GNY	green-yellow		grün-gelb	vert-jaune	
ÖG	orange		orange	orange	
VT	violet		violett	violet	

	meaning	of	Bedeutung	der	interpretation
M	motor		Motor		moteur
S	switch		Schalter		interrupteur
C	condenser		Kondensator		condensateur
R	rectifier		Gleichrichter		rectifier
BR	motor break		Motorbremse		frein de moteur
RS	reversing		Drehrichtungssch		commu.
CS	centrifugal		Fliehkraftschalter		declencheur
OL	overload cut-		Überlastschuttsch		declencheur
LS	limit switch		Positionsendschalt		micro

230/50/1



VBS-18MW

414418T

	colour	of	Litzenfarben	couleur	des
BK	black		schwarz	noir	
WH	white		weiss	blanc	
BU	blue		blau	bleu	
YE	yellow		gelb	jaune	
RD	red		rot	rouge	
BN	brown		braun	brun	
GY	grey		grau	gris	
GNV	green-yellow		grün-gelb	vert-jaune	
OG	orange		orange	orange	
VT	violet		violett	violet	

	meaning	of	Bedeutung	der	interpretation
M	motor		Motor		moteur
S	switch		Schalter		interrupteur
C	condenser		Kondensator		condensateur
R	rectifier		Gleichrichter		rectifier
BR	motor break		Motorbremse		frein de moteur
RS	reversing		Drehrichtungssch		commu.
CS	centrifugal		Fliehkraftschalter		declencheur
OL	overload cut-		Überlastschutzsch		declencheur
LS	limit swith		Positionsendschal		micro

